

REVISION					
ZONE	REV	DESCRIPTION	DATE	CHANGED BY	APPROVED
	A	INITIAL RELEASE	02/03/2025	DMAY	DGUTTADAURO

F

F

E

E

D

D

C

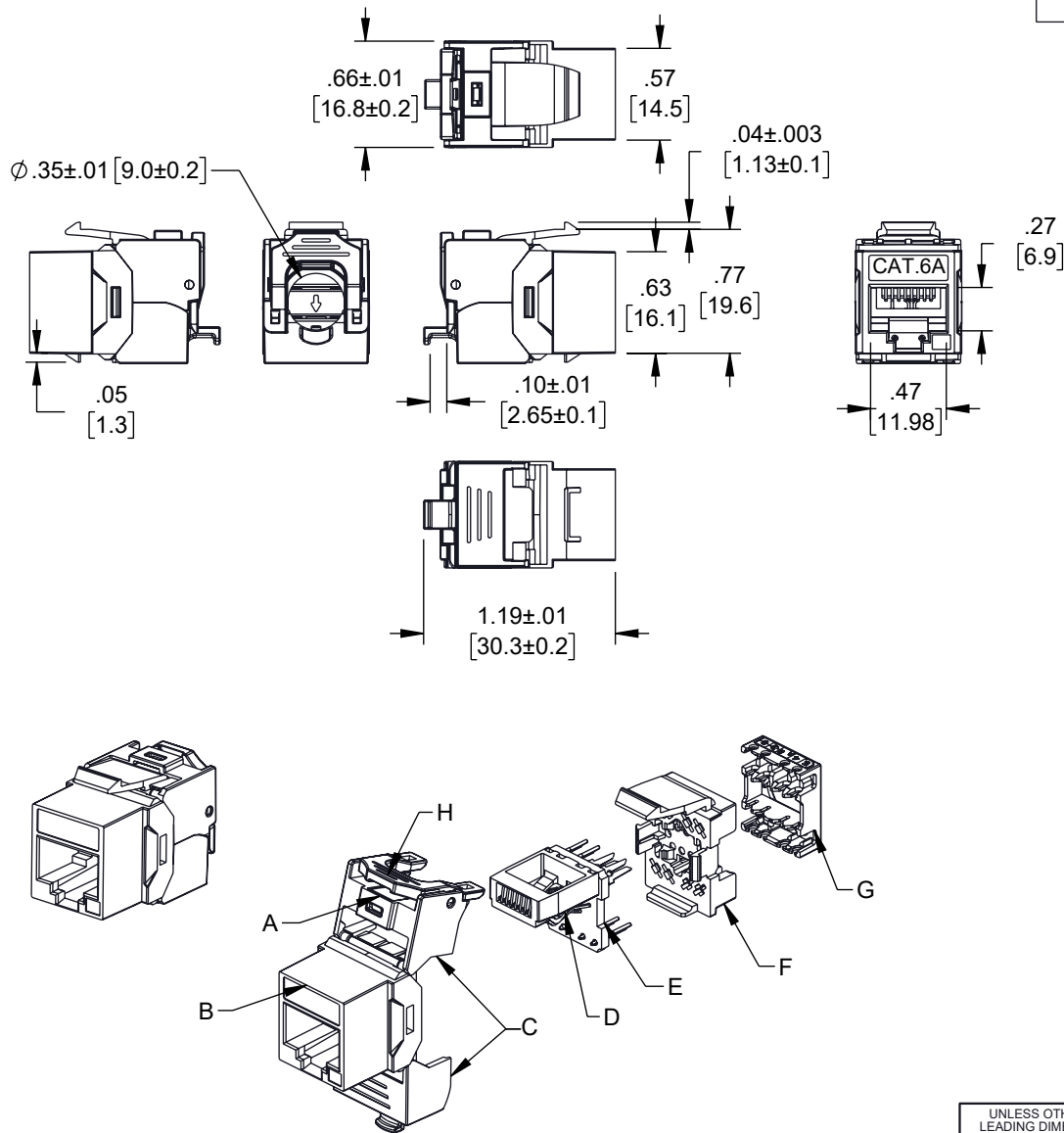
C

B

B

A

A



SPECIFICATION:
MATERIAL

- A. PRESSING SHRAPNEL: STAINLESS STEEL, SUS304.
- B. RJ45 HOUSING: PC, UL 94V2 WHITE COLOR.
- C. CAP:
1-1: CAP A: PC, UL 94-V2 BLACK COLOR.
1-2: CAP B: PC, UL 94-V2 BLACK COLOR.
- D. CONTACT BRACKET: PC, UL 94-V2, WHITE COLOR.
- E. PCB FR4, UL 90-V0.
2-1. MATERIAL: PHOSPHOR BRONZE WITH NICKEL PLATING.
2-2. FINISH: 50 MICRO-INCH GOLD PLATED ON PLUG CONTACT AREA.
2-3. TERMINAL: PHOSPHOR BRONZE WITH TIN PLATING.
- F. IDC HOUSING: PC, UL 94-V2, WHITE COLOR.
- G. CAP FOR TOOLFREE: PC, UL 94-V2, WHITE COLOR.
- H. KEY SWITCH: PC, UL 94-V2 WHITE COLOR..

PERFORMANCE:

1. T568A & T568b WIRING.
2. INSERTION FORCE: 20N MAX. (IEC 60603-7-4)
3. RETENTION STRENGTH: 7.7kg BETWEEN JACK AND PLUG.
4. OPERATING TEMPERATURE: -10°C TO 60°C.
(ISO/IEC 11801, ANSI/TIA 568.2-D)
5. LIFE TIME:
e-1. JACK: 750 CYCLES MIN. (ISO/IEC 11801, IEC 60603-7-4)
e-2. IDC: SUITABLE FOR 23-26AWG STRANDED AND SOLID WIRE,
MIN. 20-INSTALLATION CYCLES.
e-3. TOOL-LESS: WHEN USING THE IDC CAP FOR WIRE MANAGEMENT.
6. THE CAT 6 TRANSMISSION PERFORMANCE IS IN COMPLIANCE WITH THE TIA 568 C.2 STANDARD.

COLOR:GREEN

REGULATORY COMPLIANCE:
EU RoHS DIRECTIVE (MOST RECENT RELEASED VERSION)

THE INFORMATION CONTAINED IN THIS DRAWING IS THE SOLE PROPERTY OF INFINITE ELECTRONICS, INC. ANY REPRODUCTION IN PART OR WHOLE WITHOUT THE WRITTEN PERMISSION OF INFINITE ELECTRONICS, INC. IS PROHIBITED. THESE COMMODITIES, TECHNOLOGY OR SOFTWARE WERE EXPORTED FROM THE UNITED STATES IN ACCORDANCE WITH THE EXPORT ADMINISTRATION REGULATIONS. DIVERSION CONTRARY TO U.S. LAW PROHIBITED.

UNLESS OTHERWISE SPECIFIED LEADING DIMENSIONS ARE INCHES DIMENSIONS IN [] ARE MILLIMETERS	
TOLERANCES:	
X = ±.2 [5]	FRACTIONS ± 1/32
XX = ±.02 [0.5]	ANGLES ± 1°
XXX = ±.005 [0.13]	
CABLE LENGTH TOLERANCES:	
≤12 [305]	≤+1 [25] / -0
>12 [305] ≤ 60 [1524]	≤+2 [51] / -0
>60 [1524] ≤ 120 [3048]	≤+4 [102] / -0
>120 [3048] ≤ 300 [7620]	≤+6 [152] / -0
>300 [7620]	≤+5% / -0
ALL DIMENSIONS ARE FOR REFERENCE ONLY AND SUBJECT TO CHANGE WITHOUT NOTICE. UN-DIMENSIONED/NON-CRITICAL FEATURES MAY VARY IN SIZE AND LOCATION. COLORS MAY VARY	



Website: www.L-com.com
Phone: 1.800.341.5266 | 1.978.682.6936

INTERPRET ALL DIMENSIONS AND TOLERANCES PER ASME Y14.5	
SCALE	SHEET
NONE	1 OF 1

DESCRIPTION
CATEGORY 6A ULTRA SHORT-BODY TOOLESS KEYSTONE JACK, UNSHIELDED, GREEN

SIZE	CAGE CODE	DRAWN BY	ITEM NO.	REV
A	43321	DMAY	RJSBTL6A-GRN	A