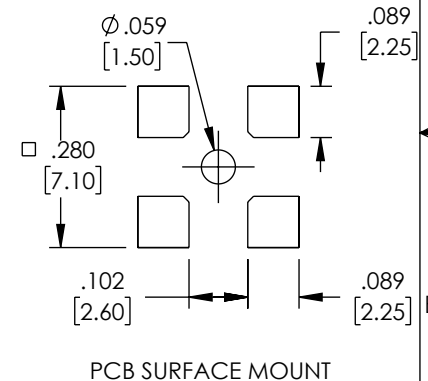
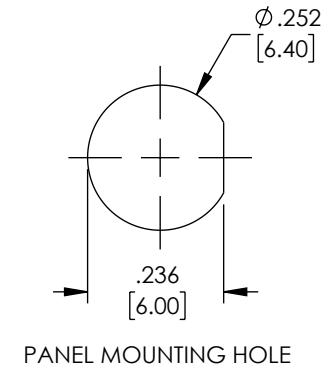
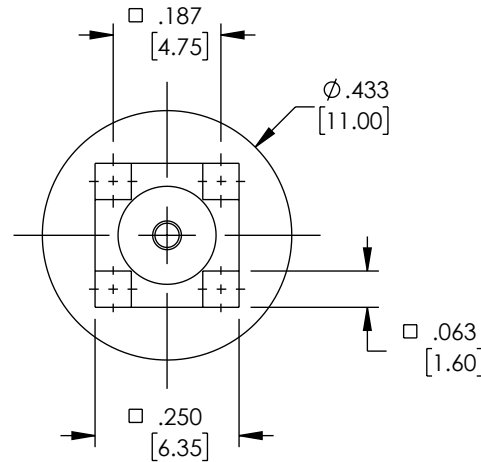
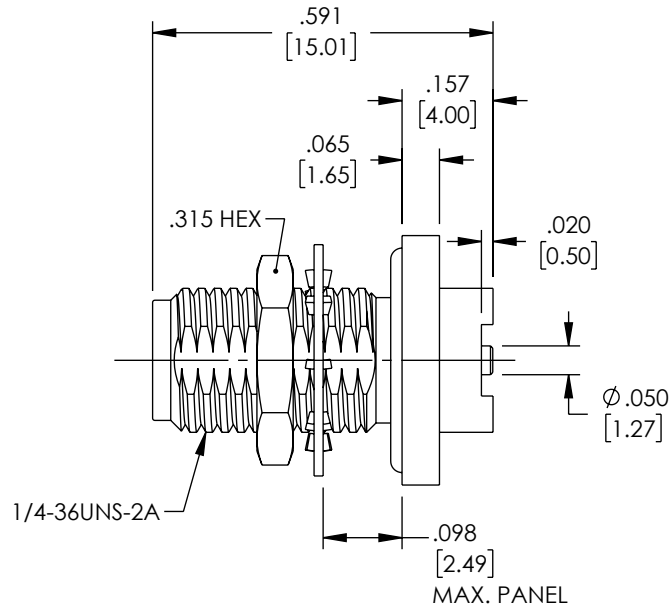


THE INFORMATION CONTAINED IN THIS DRAWING IS THE SOLE PROPERTY OF L-COM, INC. ANY REPRODUCTION IN PART OR WHOLE WITHOUT THE WRITTEN PERMISSION OF L-COM, INC. IS PROHIBITED.

REVISION					
ZONE	REV	DESCRIPTION	DATE	CHANGED BY	APPROVED
	A	INITIAL RELEASE	03/06/2023	DMAY	AGANWANI



**ELECTRICAL DATA:**

1. IMPEDANCE: 50 OHMS
2. FREQUENCY RANGE: DC~18 GHz
3. VSWR: 1.15+0.02f(GHz)

4. INSERTION LOSS:  $0.05 \times \sqrt{f\text{GHz}}$

**TRANSMISSION LINE INFO:**

1. CONDUCTOR BACKED COPLANER WAVEGUIDE
2. USING R04350B CIRCUIT MATERIALS
3. CONDUCTOR WIDTH = .02157 [0.548] SPACE = .02469[0.627]
4. IMPEDANCE: 50 Ω

**ENVIRONMENTAL DATA:**

1. TEMPERATURE RANGE: -55°C~+125°C
2. 1907/2006/EC(REACH): COMPLIANT


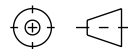
COMPONENT SHALL BE INDIVIDUALLY PACKAGED IN ACCORDANCE WITH L-COM SPECIFICATION PS-0031.

**REGULATORY COMPLIANCE:**

EU RoHS DIRECTIVE (MOST RECENT RELEASED VERSION)

**MATERIAL & FINISH:**

1. BODY: BRASS, GOLD PLATED
2. CENTER CONTACT: BERYLLIUM COPPER ALLOY, GOLD PLATED
3. INSULATOR: PTFE
4. WASHER: BERYLLIUM COPPER ALLOY, GOLD PLATED
5. FASTENING NUT: BRASS, GOLD PLATED
6. O-RING: MVQ(SILICONE RUBBER)

UNLESS OTHERWISE SPECIFIED, DIMENSIONS ARE IN INCHES [mm] OVERALL CABLE LENGTH TOLERANCES: ≤12 [305] = +1 [25] / -0 >12 [305] ≤60 [1524] = +2 [51] / -0 >60 [1524] ≤120 [3048] = +4 [102] / -0 >120 [3048] ≤300 [7620] = +6 [152] / -0 >300 [7620] = +5% / -0 ALL OTHER DIMENSIONAL TOLERANCES: .X = ± .2 [5]   FRACTIONS ± 1/32 .XX = ± .02 [5]   ANGLES ± 1° .XXX = ± .005 [13]	APPROVALS	DATE	 50 High Street, West Mill, North Andover, MA 01845 USA. Phone: 1.800.341.5266 1.978.682.6936
	DRAWN BY DMAY	03/06/2023	
	CHECKED BY HBAKKE	03/07/2023	CATEGORY
	APPROVED BY AGANWANI	03/07/2023	RF INTERCONNECTS
THIRD-ANGLE PROJECTION 	CONFIGURATION DETAILS OF UNDIMENSIONED FEATURES MAY VARY	PRODUCT DESCRIPTION	RF PCB CONNECTOR, SMA, FEMALE, UP TO 18 GHz, SURFACE MOUNT, STRAIGHT
	COLOR VARIATIONS MAY OCCUR	SIZE A	CAGE CODE 43321
		ITEM NO. RFPcb-SMA-FS18G-67	REV. A
		SCALE: NONE	CAD FILE: RFPcb-SMA-FS18G-67.SLDDRW
			SHEET 1 OF 1