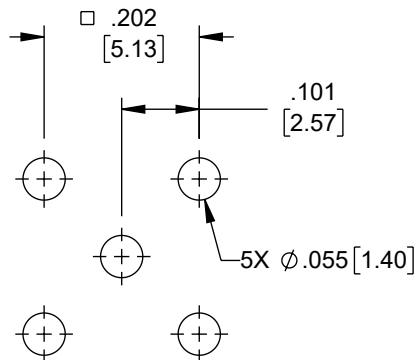
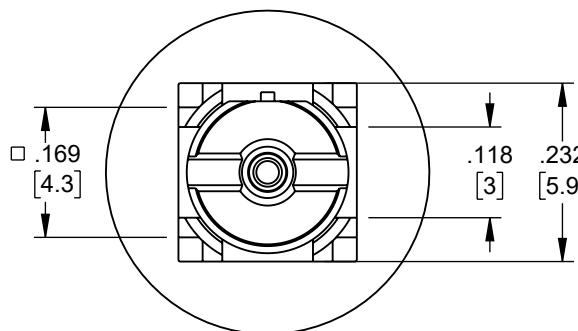
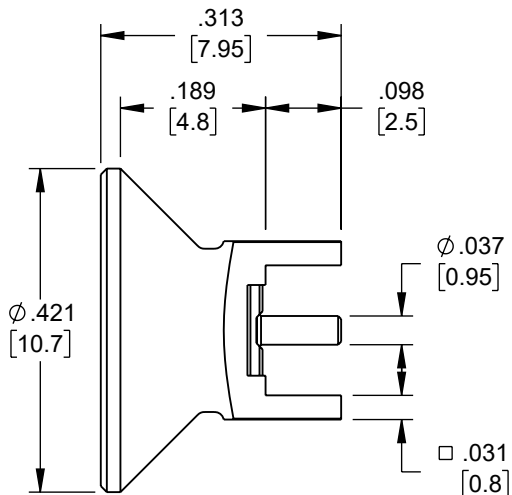


THE INFORMATION CONTAINED IN THIS DRAWING IS THE SOLE PROPERTY OF L-COM, INC. ANY REPRODUCTION IN PART OR WHOLE WITHOUT THE WRITTEN PERMISSION OF L-COM, INC. IS PROHIBITED.

REVISION					
ZONE	REV	DESCRIPTION	DATE	CHANGED BY	APPROVED
	A	INITIAL RELEASE	03/16/2023	SREITER	AGANWANI



RECOMMENDED
MTG HOLE PATTERN

NOTES:

ELECTRICAL DATA:

1. IMPEDANCE: 50Ω
2. FREQUENCY RANGE: DC TO 12.4GHz
3. VSWR: 1.15:1


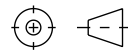
MECHANICAL:

1. BODY: BRASS, GOLD PLATED
2. CONTACT: BRASS, GOLD PLATED
3. INSULATION: LCP

ALL DIMENSIONS FOR REFERENCE ONLY.

REGULATORY COMPLIANCE:

EU RoHS DIRECTIVE (MOST RECENT RELEASED VERSION)

UNLESS OTHERWISE SPECIFIED, DIMENSIONS ARE IN INCHES [mm] OVERALL CABLE LENGTH TOLERANCE: ≤12 [305] = +1 [25] / -0 >12 [305] ≤60 [1524] = +2 [51] / -0 >60 [1524] ≤120 [3048] = +4 [102] / -0 >120 [3048] ≤300 [7620] = +6 [152] / -0 >300 [7620] = +5% / -0 ALL OTHER DIMENSIONAL TOLERANCES: .X = ± .2 [5] FRACTIONS ± 1/32 .XX = ± .02 [5] ANGLES ± 1° .XXX = ± .005 [1.3]	APPROVALS	DATE	 50 High Street, West Mill, North Andover, MA 01845 USA. Phone: 1.800.341.5266 1.978.682.6936		
	DRAWN BY SREITER	03/16/2023			
	CHECKED BY DWANG	03/30/2023	CATEGORY PCB CONNECTOR		
	APPROVED BY AGANWANI	03/30/2023			
THIRD-ANGLE PROJECTION 	CONFIGURATION DETAILS OF UNDIMENSIONED FEATURES MAY VARY	PRODUCT DESCRIPTION MMBX JACK SNAP-ON CONNECTOR SOLDER ATTACHMENT THROUGH HOLE PCB, WITH FEMALE CENTER CONTACT AND .382" DIAMETER FUNNEL			
	COLOR VARIATIONS MAY OCCUR	SIZE A	CAGE CODE 43321	ITEM NO. RFPCB-MMBX-FS-12G126	REV. A
		SCALE: NONE	CAD FILE: RFPCB-MMBX-FS-12G126.SLDDRW	SHEET 1 OF 1	