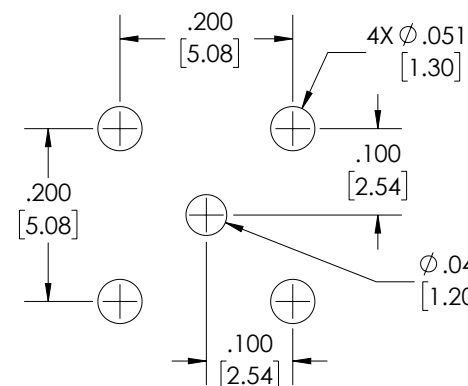
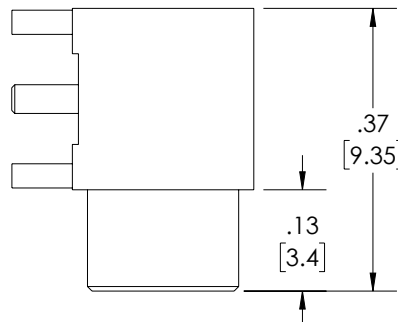
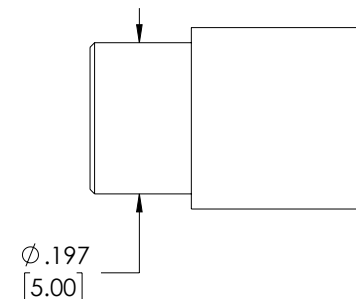
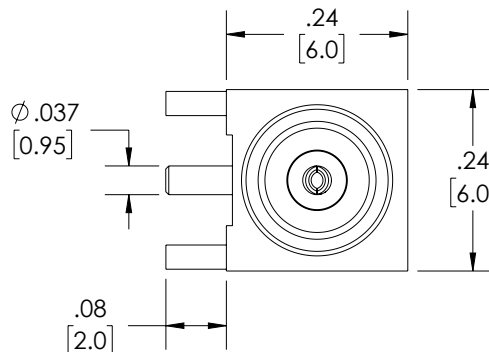
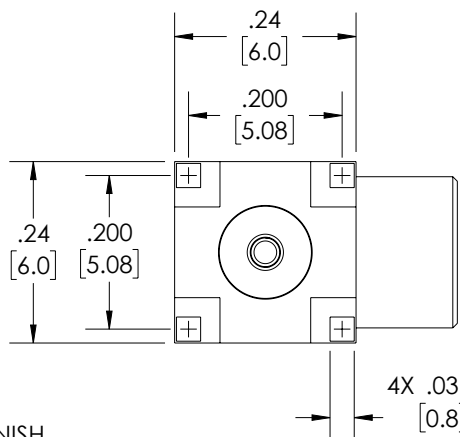


THE INFORMATION CONTAINED IN THIS DRAWING IS THE SOLE PROPERTY OF L-COM, INC. ANY REPRODUCTION IN PART OR WHOLE WITHOUT THE WRITTEN PERMISSION OF L-COM, INC. IS PROHIBITED.

REVISION					
ZONE	REV.	DESCRIPTION	DATE	CHANGED BY	APPROVED BY
	A	INITIAL RELEASE	03/21/2023	BPUCHASKI	AGANWANI



RECOMMENDED PCB MOUNTING HOLES



NOTES:

MATERIAL & FINISH

1. BODY: BRASS, GOLD PLATED
2. CENTER CONTACT: PHOSPHOR BRONZE, GOLD PLATED
3. INSULATOR: PTFE
4. MOUNTING: BRASS, GOLD PLATED


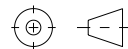
ELECTRICAL

1. IMPEDANCE: 50 OHM
2. FREQUENCY: 0-6GHz
3. VSWR: 1.3 MAX.
4. INSERTION LOSS: 0.4 MAX

COMPONENT SHALL BE INDIVIDUALLY PACKAGED IN ACCORDANCE WITH L-COM SPECIFICATION PS-0031.

REGULATORY COMPLIANCE:

EU RoHS DIRECTIVE (MOST RECENT RELATED VERSION)

UNLESS OTHERWISE SPECIFIED, DIMENSIONS ARE IN INCHES [mm] OVERALL CABLE LENGTH TOLERANCE: ≤12 [305] = +1 [25] / -0 >12 [305] ≤60 [1524] = +2 [51] / -0 >60 [1524] ≤120 [3048] = +4 [102] / -0 >120 [3048] ≤300 [7620] = +6 [152] / -0 >300 [7620] = +5% / -0 ALL OTHER DIMENSIONAL TOLERANCES: .X = ± .2 [5] FRACTIONS ± 1/32 .XX = ± .02 [5] ANGLES ± 1° .XXX = ± .005 [1.3]	APPROVALS DRAWN BY BPUCHASKI CHECKED BY DFRISIELLO APPROVED BY AGANWANI	DATE 03/21/2023 03/21/2023 03/21/2023	 50 High Street, West Mill, North Andover, MA 01845 USA. Phone: 1.800.341.5266 1.978.682.6936		
	CONFIGURATION DETAILS OF UNDIMENSIONED FEATURES MAY VARY			CATEGORY RF INTERCONNECTS	
THIRD-ANGLE PROJECTION 	COLOR VARIATIONS MAY OCCUR	SIZE A	CAGE CODE 43321	ITEM NO. RFPCB-MCX-F-R-6G-4	REV. A
		SCALE: NONE	CAD FILE: RFPCB-MCX-F-R-6G-4.SLDDRW	SHEET 1 OF 1	