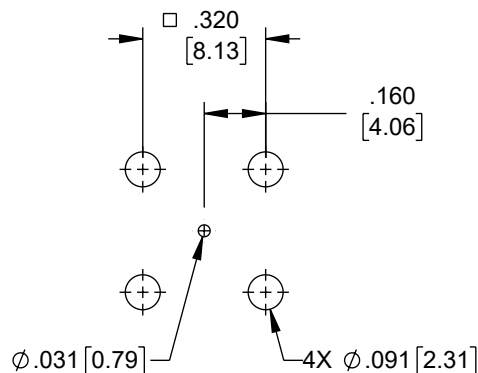
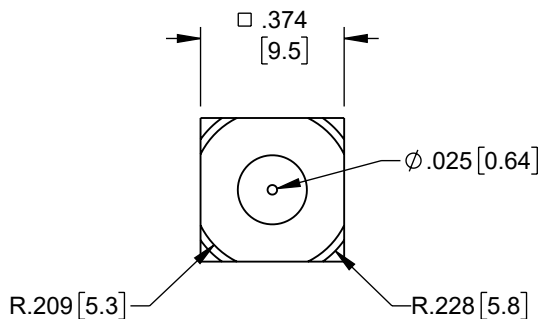
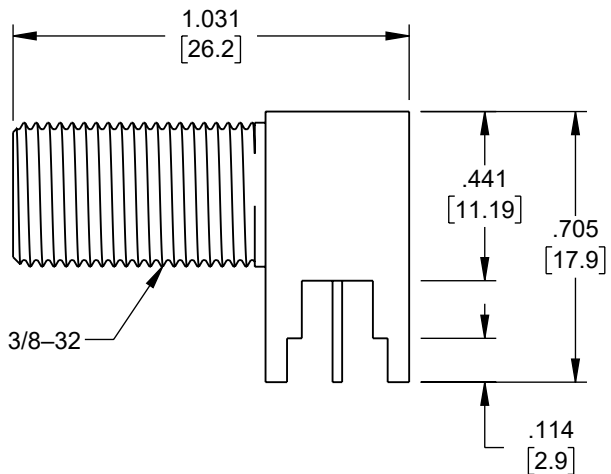


THE INFORMATION CONTAINED IN THIS DRAWING IS THE SOLE PROPERTY OF L-COM, INC. ANY REPRODUCTION IN PART OR WHOLE WITHOUT THE WRITTEN PERMISSION OF L-COM, INC. IS PROHIBITED.

REVISION					
ZONE	REV	DESCRIPTION	DATE	CHANGED BY	APPROVED
	A	INITIAL RELEASE	02/23/2023	SREITER	AGANWANI



**NOTES:**

**ELECTRICAL DATA:**

1. IMPEDANCE: 75Ω
2. FREQUENCY RANGE: 2GHz
3. VSWR: 1.5:1

**MECHANICAL:**


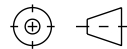
1. BODY: BRASS, NICKEL PLATED
2. CONTACT: BRASS, TIN PLATED

ALL DIMENSIONS FOR REFERENCE ONLY.

**REGULATORY COMPLIANCE:**

EU RoHS DIRECTIVE (MOST RECENT RELEASED VERSION)

**RECOMMENDED  
MTG HOLE PATTERN**

UNLESS OTHERWISE SPECIFIED, DIMENSIONS ARE IN INCHES [mm] OVERALL CABLE LENGTH TOLERANCE: ≤12 [305] = +1 [25] / -0 >12 [305] ≤60 [1524] = +2 [51] / -0 >60 [1524] ≤120 [3048] = +4 [102] / -0 >120 [3048] ≤300 [7620] = +6 [152] / -0 >300 [7620] = +5% / -0 ALL OTHER DIMENSIONAL TOLERANCES: .X = ± .2 [5]   FRACTIONS ± 1/32 .XX = ± .02 [5]   ANGLES ± 1° .XXX = ± .005 [1.3]	APPROVALS	DATE	 50 High Street, West Mill, North Andover, MA 01845 USA. Phone: 1.800.341.5266 1.978.682.6936			
	DRAWN BY SREITER	02/23/2023				
THIRD-ANGLE PROJECTION 	CHECKED BY DWANG	03/29/2023	CATEGORY <b>PCB CONNECTOR</b>			
	APPROVED BY AGANWANI	03/29/2023	PRODUCT DESCRIPTION 75 ohm F FEMALE RIGHT ANGLE CONNECTOR SOLDER ATTACHMENT THRU HOLE PCB, .320 INCH X .091 INCH HOLE SPACING			
	CONFIGURATION DETAILS OF UNDIMENSIONED FEATURES MAY VARY		SIZE <b>A</b>	CAGE CODE <b>43321</b>	ITEM NO. <b>RFPCB-F-FR-2G-87</b>	REV. <b>A</b>
	COLOR VARIATIONS MAY OCCUR		SCALE: NONE	CAD FILE: RFPCB-F-FR-2G-87.SLDDRW	SHEET 1 OF 1	