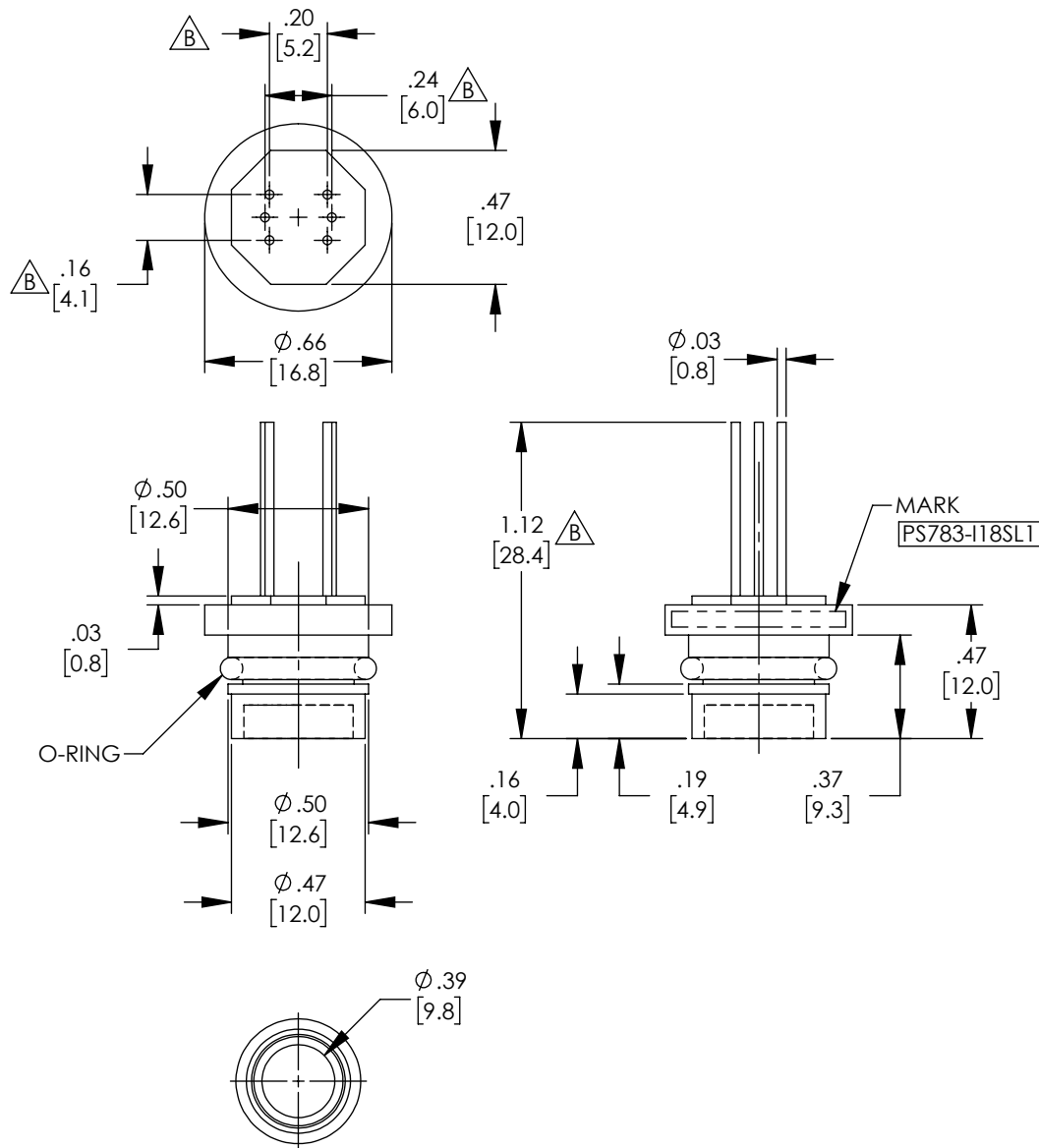


REVISIONS			
REV	DESCRIPTION	DATE	APPROVED
B	ECN 10065; DIM [5.2] WAS 4.5, [6.0] WAS 5.5, [4.1] WAS 4.5, [28.4] WAS 23.0	08/28/19	TOZA

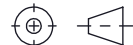


UNLESS OTHERWISE SPECIFIED
LEADING DIMENSIONS ARE INCHES
DIMENSIONS IN [] ARE MILLIMETERS

TOLERANCES:	
X \pm .2 [5.08]	FRACTIONS $\pm 1/32$
.XX \pm .01 [.25]	ANGLES $\pm 1^\circ$
.XXX \pm .005 [.13]	

ALL DIMENSIONS SHOWN
ARE FOR REFERENCE ONLY.

THIRD-ANGLE PROJECTION



an INFINITI brand
50 High Street, West Mill, 3rd Floor, Suite #30
North Andover, MA 01845 USA.
Phone: 1.800.341.5266 | 1.978.682.6936
Fax: 1.978.689.9484

www.L-com.com | e-mail: CustomerService@L-com.com

THE INFORMATION AND
DESIGN IN THIS DOCUMENT
IS THE PROPERTY OF
L-COM GLOBAL CONNECTIVITY.
ALL RIGHTS RESERVED.

SHEET 1 OF 1

SCALE N/A

THESE COMMODITIES, TECHNOLOGY OR SOFTWARE WERE EXPORTED FROM THE UNITED STATES IN ACCORDANCE WITH THE EXPORT ADMINISTRATION REGULATIONS. DIVERSION CONTRARY TO U.S. LAW PROHIBITED.

SIZE	CAGE	DRAWN BY	PART NUMBER	REV
A	43321	DZINN	PS783-I18SL1	B