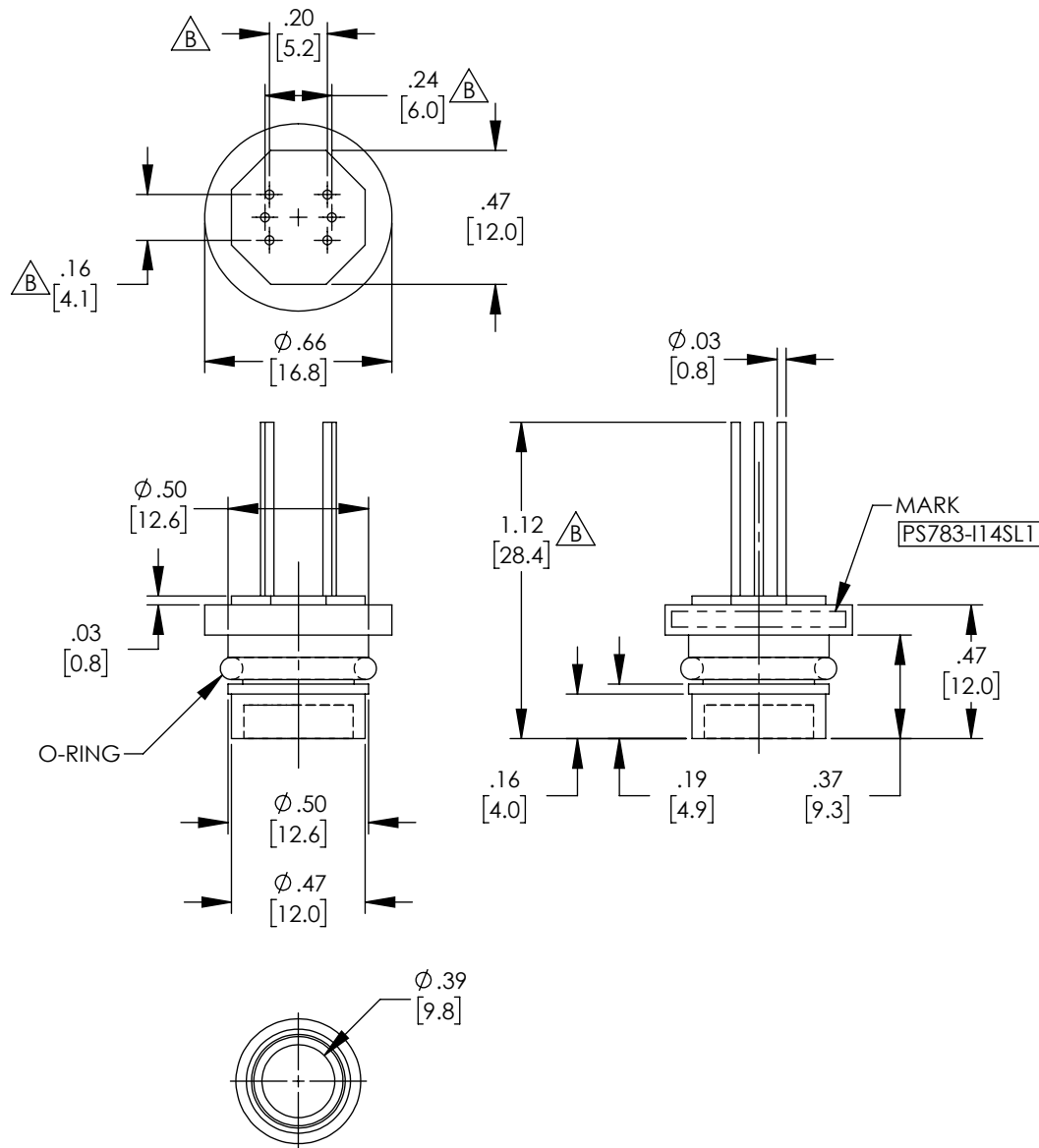


REVISIONS			
REV	DESCRIPTION	DATE	APPROVED
B	ECN 10065; DIM [5.2] WAS 4.5, [6.0] WAS 5.5, [4.1] WAS 4.5, [28.4] WAS 23.0	08/28/19	TOZA



THESE COMMODITIES, TECHNOLOGY OR SOFTWARE WERE EXPORTED FROM THE UNITED STATES IN ACCORDANCE WITH THE EXPORT ADMINISTRATION REGULATIONS. DIVERSION CONTRARY TO U.S. LAW PROHIBITED.

UNLESS OTHERWISE SPECIFIED LEADING DIMENSIONS ARE INCHES DIMENSIONS IN [] ARE MILLIMETERS	
TOLERANCES:	
X \pm .2 [5.08]	FRACTIONS $\pm 1/32$
.XX \pm .01 [.25]	ANGLES $\pm 1^\circ$
.XXX \pm .005 [.13]	
ALL DIMENSIONS SHOWN ARE FOR REFERENCE ONLY.	
THIRD-ANGLE PROJECTION	

 an INFINITI brand 50 High Street, West Mill, 3rd Floor, Suite #30 North Andover, MA 01845 USA. Phone: 1.800.341.5266 1.978.682.6936 Fax: 1.978.689.9484 e-mail: CustomerService@L-com.com			
SIZE	CAGE	DRAWN BY	PART NUMBER
A	43321	DZINN	PS783-I14SL1

THE INFORMATION AND DESIGN IN THIS DOCUMENT IS THE PROPERTY OF L-COM GLOBAL CONNECTIVITY. ALL RIGHTS RESERVED.	
SHEET	OF
1	1
SCALE	N/A
REV	B