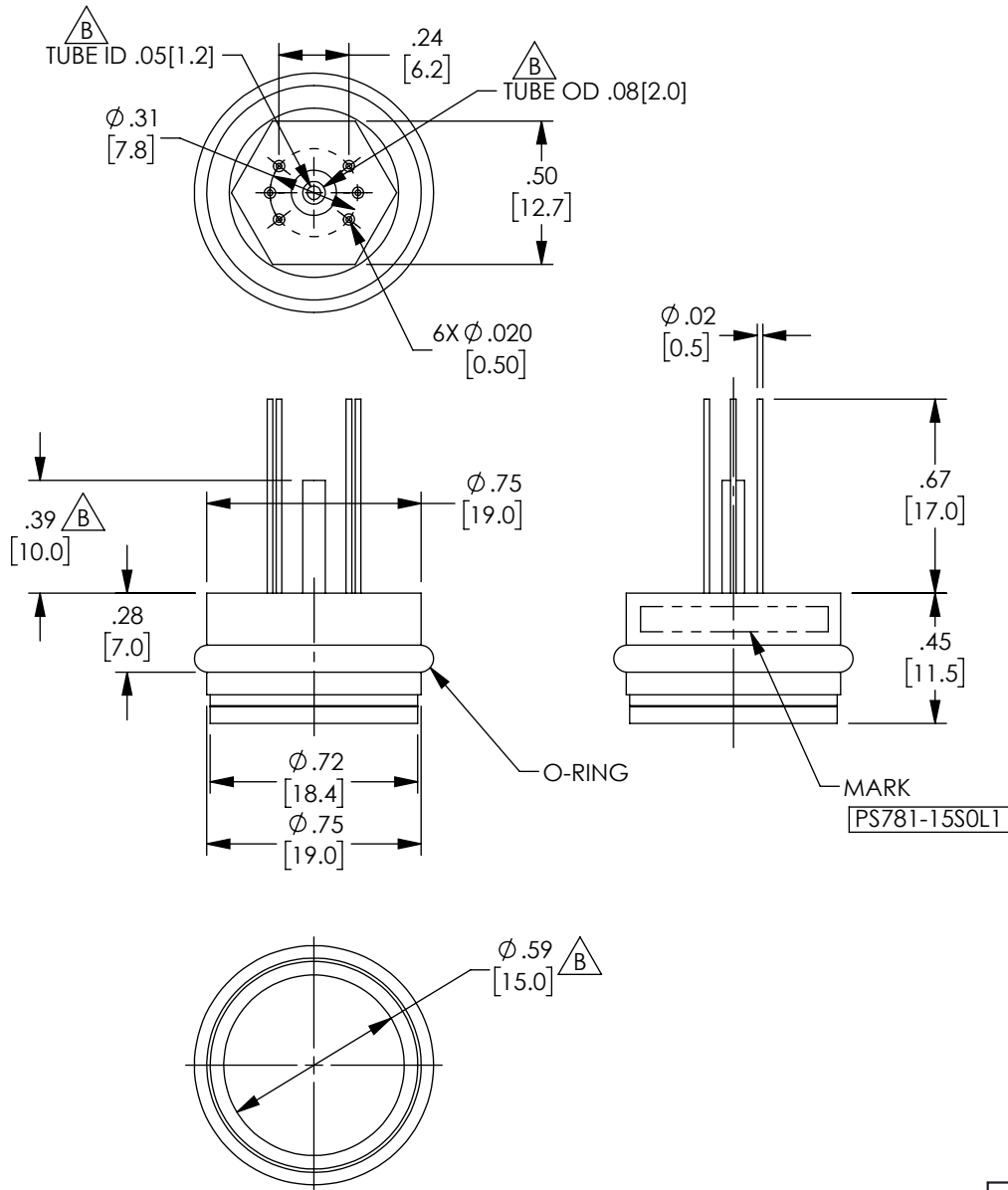


| REVISIONS |   |          |          |
|-----------|---|----------|----------|
| REV       | DESCRIPTION                               | DATE     | APPROVED |
| B         | ECN 10065; ADDED VENT TUBE, DIM WAS 16 mm | 08/27/19 | TOZA     |



THESE COMMODITIES, TECHNOLOGY OR SOFTWARE WERE EXPORTED FROM THE UNITED STATES IN ACCORDANCE WITH THE EXPORT ADMINISTRATION REGULATIONS. DIVERSION CONTRARY TO U.S. LAW PROHIBITED.

|   |  |   |       |  |              |
|---|--|---|-------|--|--------------|
| UNLESS OTHERWISE SPECIFIED LEADING DIMENSIONS ARE INCHES DIMENSIONS IN [ ] ARE MILLIMETERS                        |  | <br>an INFINITI brand<br>50 High Street, West Mill, 3rd Floor, Suite #30<br>North Andover, MA 01845 USA.<br>Phone: 1.800.341.5266   1.978.682.6936<br>Fax: 1.978.689.9484<br>e-mail: CustomerService@L-com.com |       | THE INFORMATION AND DESIGN IN THIS DOCUMENT IS THE PROPERTY OF L-COM GLOBAL CONNECTIVITY. ALL RIGHTS RESERVED. |              |
| <b>TOLERANCES:</b><br>.X=± .2 [5.08]    FRACTIONS ± 1/32<br>.XX=± .01 [ .25]    ANGLES ± 1°<br>.XXX=± .005 [ .13] |  |   |       | SHEET 1 OF 1   |              |
| ALL DIMENSIONS SHOWN ARE FOR REFERENCE ONLY.  |  | SCALE N/A   |       |  |              |
| THIRD-ANGLE PROJECTION  |  | SIZE  | CAGE  | DRAWN BY   | PART NUMBER  |
|                              |  | A   | 43321 | DZINN  | PS781-15S0L1 |
|   |  |   |       |  | REV B        |