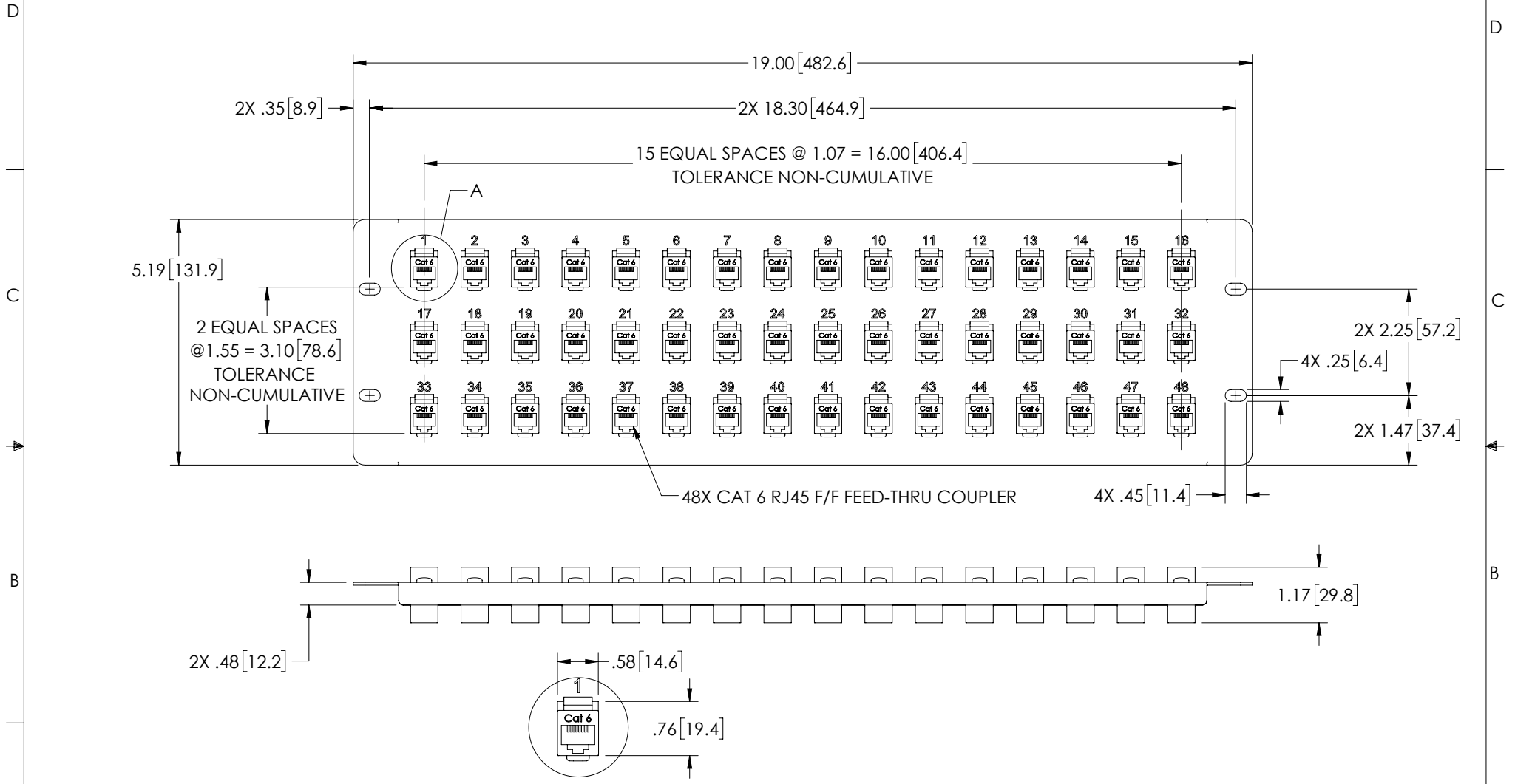


THE INFORMATION CONTAINED IN THIS DRAWING IS THE SOLE PROPERTY OF L-COM, INC. ANY REPRODUCTION IN PART OR WHOLE WITHOUT THE WRITTEN PERMISSION OF L-COM, INC. IS PROHIBITED.

REVISIONS			
REV	DESCRIPTION	DATE	APPROVED
A	REV A DRAWING RELEASED	04/16/2019	MMARTINEZ



- NOTES:
1. DIMENSIONS FOR REFERENCE ONLY.
  2. MATERIAL: .06 THICK COLD ROLLED STEEL.
  3. PANEL FINISH: FLAT BLACK POWDER COAT.
  4. SILKSCREEN COLOR: WHITE.
  5. PANEL COMPONENT SHALL BE PACKAGED IN ACCORDANCE WITH L-COM SPECIFICATION PS-0014.

UNLESS OTHERWISE SPECIFIED, DIMENSIONS ARE IN INCHES [mm] OVERALL CABLE LENGTH TOLERANCE: ≤12 [305] = +1 [25] / -0 >12 [305] ≤60 [1524] = +2 [51] / -0 >60 [1524] ≤120 [3048] = +4 [102] / -0 >120 [3048] ≤300 [7620] = +6 [152] / -0 >300 [7620] = +5% / -0% ALL OTHER DIMENSIONAL TOLERANCES: .X = ±.2 [5.08] .XX = ±.02 [1.51] .XXX = ±.005 [1.13]	APPROVALS DRAWN BY DZINN	DATE 04/08/2019	50 HIGH STREET NORTH ANDOVER, MA 01845		
	CHECKED BY DFRISIELLO	DATE 04/08/2019		CATEGORY RACK PANELS	
	APPROVED BY MMARTINEZ	DATE 04/08/2019		PRODUCT DESCRIPTION PNL,3U RACK w/48 C6 CPLR	
	PROJECTION 	COLOR VARIATIONS MAY OCCUR		SIZE <b>A</b>	FSCM NO. <b>43321</b>
SCALE: NONE		CAD FILE: PR525-C6-48.SLDDRW		SHEET 1 OF 1	