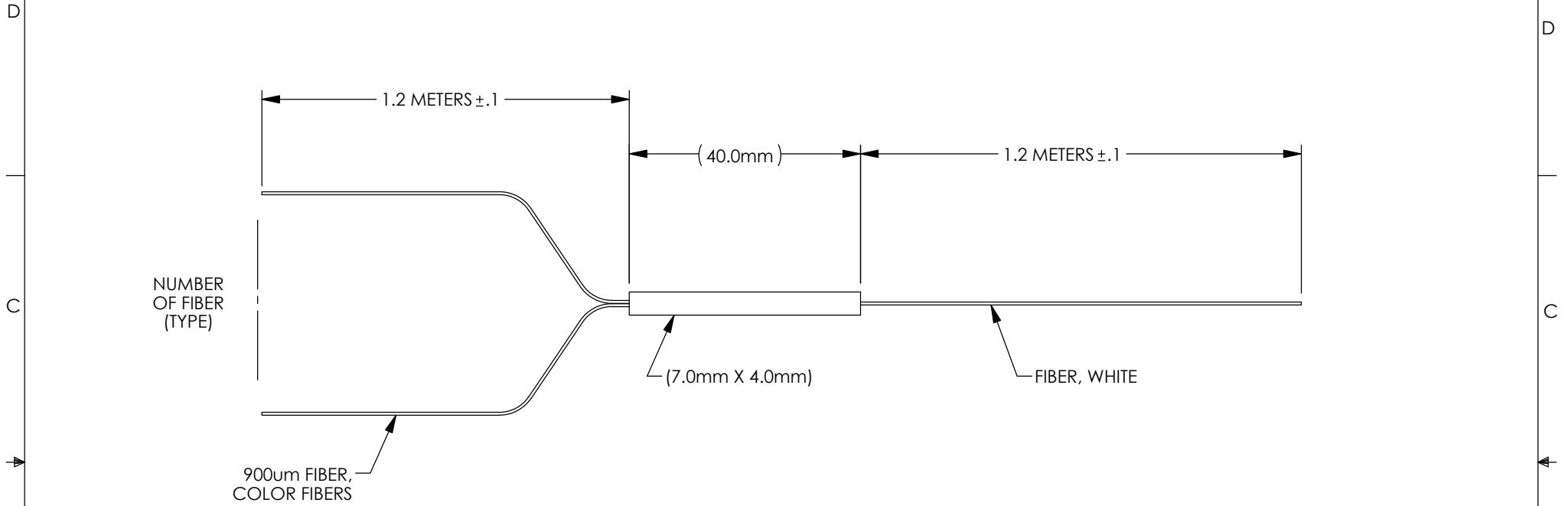




THE INFORMATION CONTAINED IN THIS DRAWING IS THE SOLE PROPERTY OF L-COM, INC. ANY REPRODUCTION IN PART OR WHOLE WITHOUT THE WRITTEN PERMISSION OF L-COM, INC. IS PROHIBITED.

REVISIONS			
REV	DESCRIPTION	DATE	APPROVED
A	INITIAL RELEASE	11/16/2020	PHOSPODAR



MODEL NUMBER	TYPE	OPERATING WAVELENGTH
PP5P-04BSS-15NN	1 X 4	1260nm-1650nm
PP5P-08BSS-15NN	1 X 8	
PP5P-16BSS-15NN	1 X 16	
PP5P-32BSS-15NN	1 X 32	

- NOTES:**
- OPERATING TEMPERATURE RANGE: $-40^{\circ}\text{C} \sim +85^{\circ}\text{C}$
 - CABLE ASSEMBLY SHALL BE INDIVIDUALLY PACKAGED IN ACCORDANCE WITH L-COM SPECIFICATION PS-0031.

UNLESS OTHERWISE SPECIFIED, DIMENSIONS ARE IN INCHES [mm] OVERALL CABLE LENGTH TOLERANCE: ≤ 12 [305] = +1 [25] / -0 > 12 [305] ≤ 60 [1524] = +2 [51] / -0 > 60 [1524] ≤ 120 [3048] = +4 [102] / -0 > 120 [3048] ≤ 300 [7620] = +6 [152] / -0 > 300 [7620] = +5% / -0 ALL OTHER DIMENSIONAL TOLERANCES: .X = $\pm .2$ [5] FRACTIONS $\pm 1/32$.XX = $\pm .02$ [.5] ANGLES $\pm 1^{\circ}$.XXX = $\pm .005$ [.13]	APPROVALS	DATE	 50 High Street, West Mill, North Andover, MA 01845 USA. Phone: 1.800.341.5266 1.978.682.6936
	DRAWN BY DFRISIELLO CHECKED BY PHOSPODAR APPROVED BY PHOSPODAR	11/16/2020 11/16/2020 11/16/2020	
THIRD-ANGLE PROJECTION 	CONFIGURATION DETAILS OF UNDIMENSIONED FEATURES MAY VARY COLOR VARIATIONS MAY OCCUR	PRODUCT DESCRIPTION Passive PLC Field Unit PLC Splitter (Even) Split 1.0m 900um colored fiber no connector	SCALE: NONE CAD FILE: PP5P-xxxxx-15NN.SLDDRW SHEET 1 OF 1
SIZE A CAGE CODE 43321 ITEM NO. PP5P-xxxxx-15NN		REV. A	