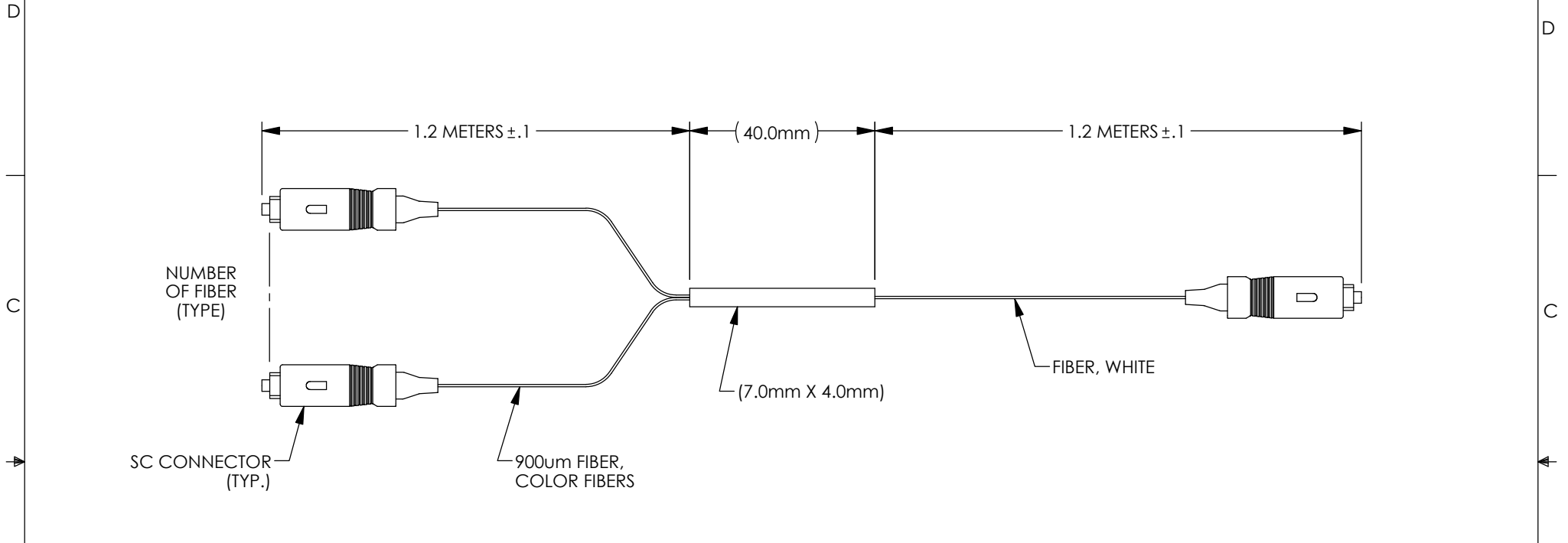


THE INFORMATION CONTAINED IN THIS DRAWING IS THE SOLE PROPERTY OF L-COM, INC. ANY REPRODUCTION IN PART OR WHOLE WITHOUT THE WRITTEN PERMISSION OF L-COM, INC. IS PROHIBITED.



REVISIONS			
REV	DESCRIPTION	DATE	APPROVED
A	INITIAL RELEASE	11/16/2020	PHOSPODAR



MODEL NUMBER	TYPE	OPERATING WAVELENGTH	INSERTION LOSS (dB) MAX (P/S)	RETURN LOSS MIN (P/S)
PP5P-04BSS-155N	1 X 4	1260nm-1650nm	7.0/7.7	50/55
PP5P-08BSS-155N	1 X 8		10.5/11	
PP5P-16BSS-155N	1 X 16		13.5/14	
PP5P-32BSS-155N	1 X 32		16.5/17	

NOTES:

1. SC CONNECTOR ASSEMBLY POLISH TYPE: APC
2. ALL CONNECTORS ACCOMPANIED WITH A DUST CAP INSTALLED (NOT SHOWN).
3. OPERATING TEMPERATURE RANGE: -40 ° C ~ +85 ° C
4. CABLE ASSEMBLY SHALL BE INDIVIDUALLY PACKAGED IN ACCORDANCE WITH L-COM SPECIFICATION PS-0031.

UNLESS OTHERWISE SPECIFIED, DIMENSIONS ARE IN INCHES [mm] OVERALL CABLE LENGTH TOLERANCE: ≤12 [305] = +1 [25] / -0 >12 [305] ≤60 [1524] = +2 [51] / -0 >60 [1524] ≤120 [3048] = +4 [102] / -0 >120 [3048] ≤300 [7620] = +6 [152] / -0 >300 [7620] = +5% / -0 ALL OTHER DIMENSIONAL TOLERANCES: .X = ± .2 [5] FRACTIONS ± 1/32 .XX = ± .02 [.5] ANGLES ± 1° .XXX = ± .005 [.13]	APPROVALS DRAWN BY DFRISIELLO CHECKED BY PHOSPODAR APPROVED BY PHOSPODAR	DATE 11/16/2020 11/16/2020 11/16/2020	 an INFINITO brand	50 High Street, West Mill, North Andover, MA 01845 USA. Phone: 1.800.341.5266 1.978.682.6936
	THIRD-ANGLE PROJECTION 	CONFIGURATION DETAILS OF UNDIMENSIONED FEATURES MAY VARY COLOR VARIATIONS MAY OCCUR	CATEGORY FIBER OPTICS	PRODUCT DESCRIPTION Passive PLC, Field Unit PLC Splitter, Standard (Even) Split 900um colored fiber SC/APC