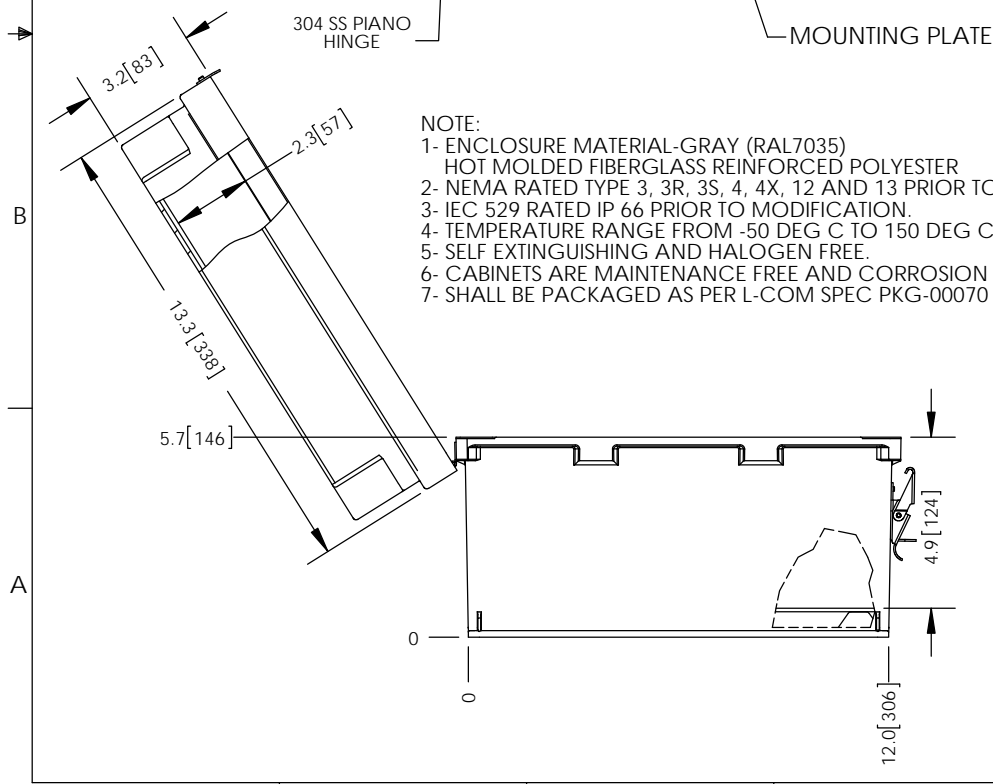
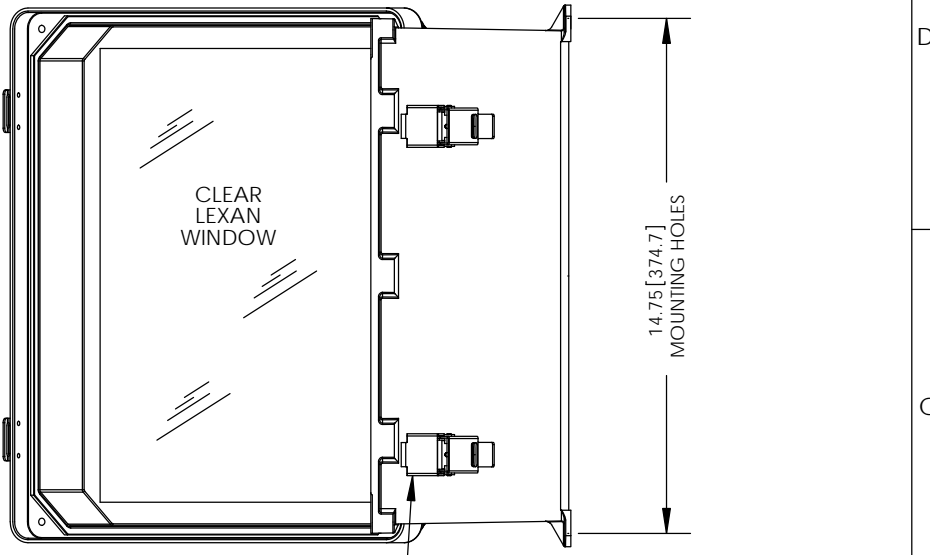
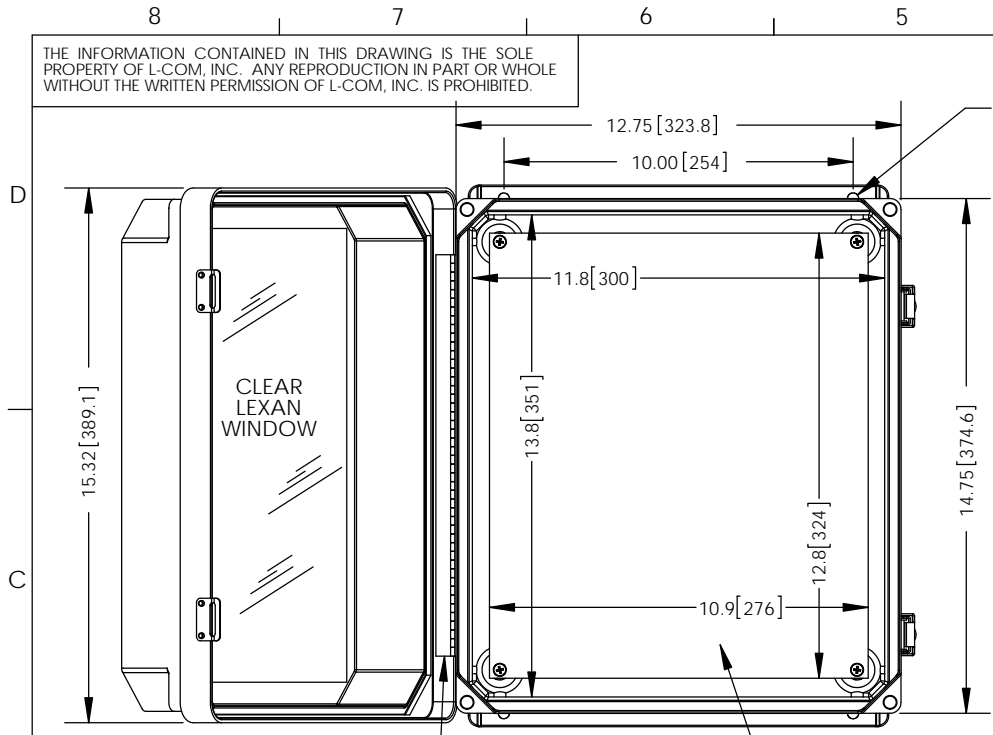


THE INFORMATION CONTAINED IN THIS DRAWING IS THE SOLE PROPERTY OF L-COM, INC. ANY REPRODUCTION IN PART OR WHOLE WITHOUT THE WRITTEN PERMISSION OF L-COM, INC. IS PROHIBITED.

REVISIONS			
REV	DESCRIPTION	DATE	APPROVED
A	INITIAL RELEASE	04/16/13	B.PUCHASKI
-	-	-	-
-	-	-	-



- NOTE:
- 1- ENCLOSURE MATERIAL-GRAY (RAL7035) HOT MOLDED FIBERGLASS REINFORCED POLYESTER
  - 2- NEMA RATED TYPE 3, 3R, 3S, 4, 4X, 12 AND 13 PRIOR TO MODIFICATIONS.
  - 3- IEC 529 RATED IP 66 PRIOR TO MODIFICATION.
  - 4- TEMPERATURE RANGE FROM -50 DEG C TO 150 DEG C.
  - 5- SELF EXTINGUISHING AND HALOGEN FREE.
  - 6- CABINETS ARE MAINTENANCE FREE AND CORROSION RESISTANT.
  - 7- SHALL BE PACKAGED AS PER L-COM SPEC PKG-00070



RoHS Compliant ✓

UNLESS OTHERWISE SPECIFIED, DIMENSIONS ARE IN INCHES [mm]	APPROVALS	DATE		45 BEECHWOOD DRIVE NORTH ANDOVER, MA 01845
	DRAWN BY B.PUCHASKI	04/16/13		
DIMENSIONAL TOLERANCES: X = ±.1 .XX = ±.01 .XXX = ±.005	CHECKED BY P.PESA	04/16/13	CATEGORY ENCLOSURES	
	APPROVED BY P.PESA	04/16/13	PRODUCT DESCRIPTION NEMA ENCLOSURE 14 X 12 X 7 WEATHERPROOF W/WINDOW,W/ BLANK PLATE ALUMINUM	
ANGULAR TOLERANCES: ALL = ± 1°	CONFIGURATION DETAILS OF UNDIMENSIONED FEATURES MAY VARY		SIZE <b>A</b>	FSCM NO. <b>43321</b>
PROJECTION 	COLOR VARIATIONS MAY OCCUR		DWG. NO. NBW141207-KIT	REV. <b>A</b>
			SCALE: NONE	CAD FILE: NBW141207-KIT.SLDDRW
			SHEET 1 OF 1	