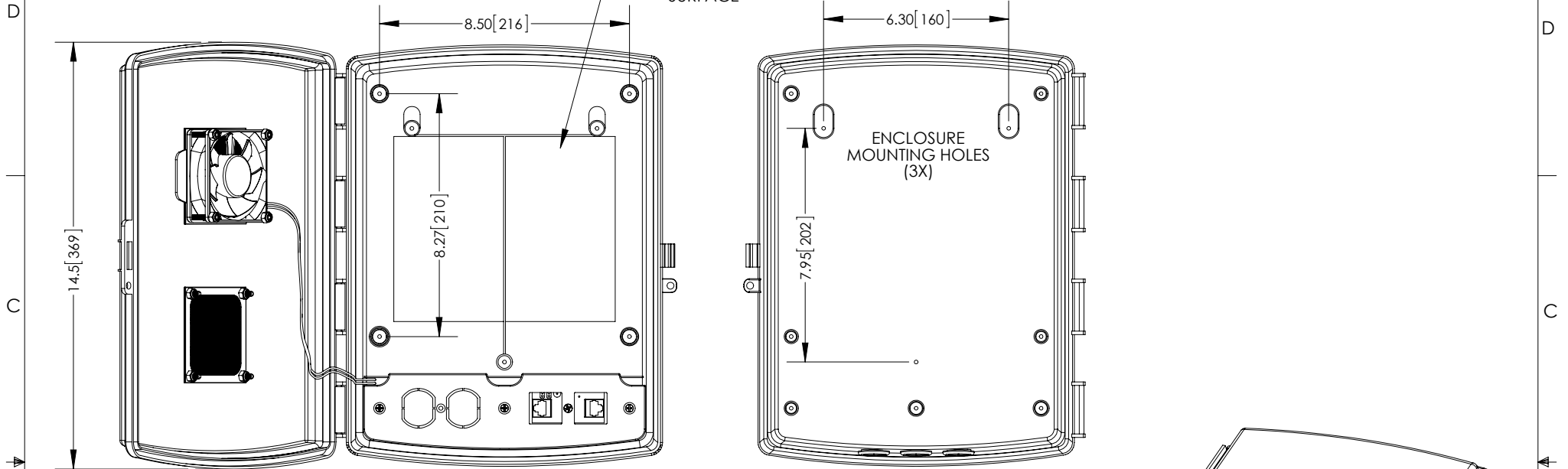
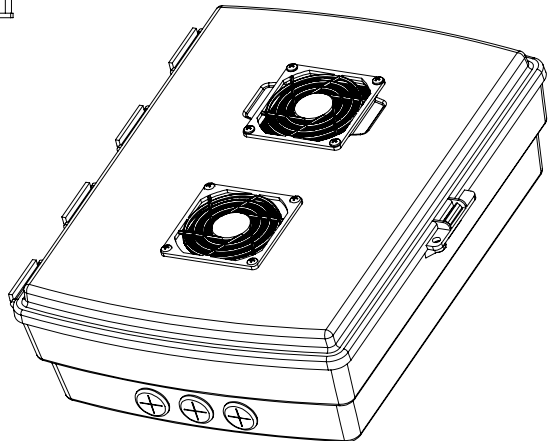


THE INFORMATION CONTAINED IN THIS DRAWING IS THE SOLE PROPERTY OF L-COM, INC. ANY REPRODUCTION IN PART OR WHOLE WITHOUT THE WRITTEN PERMISSION OF L-COM, INC. IS PROHIBITED.

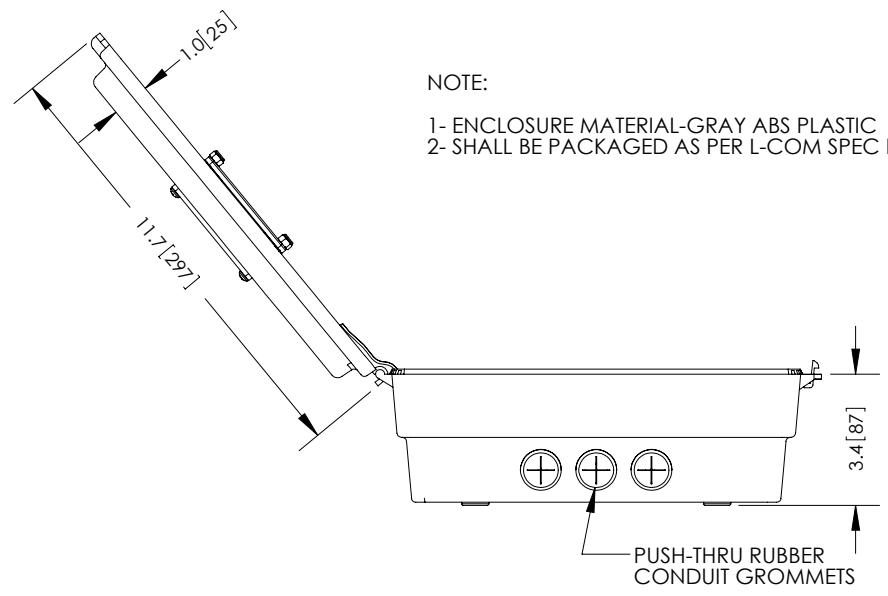
REVISIONS			
REV	DESCRIPTION	DATE	APPROVED
A	INITIAL RELEASE	8/1/12	D.GRIFFIN
-	-	-	-
-	-	-	-



BACK OF ENCLOSURE



NOTE:
 1- ENCLOSURE MATERIAL-GRAY ABS PLASTIC
 2- SHALL BE PACKAGED AS PER L-COM SPEC PKG-00070



PUSH-THRU RUBBER CONDUIT GROMMETS

RoHS Compliant ✓

UNLESS OTHERWISE SPECIFIED, DIMENSIONS ARE IN INCHES [mm] DIMENSIONAL TOLERANCES: .X = ±.1 .XX = ±.01 .XXX = ±.005 ANGULAR TOLERANCES: ALL = ± 1°	APPROVALS	DATE		45 BEECHWOOD DRIVE NORTH ANDOVER, MA 01845
	DRAWN BY B.PUCHASKI	07/27/12		
PROJECTION 	CHECKED BY P.PESA	07/27/12	CATEGORY ENCLOSURE	
	APPROVED BY P.PESA	07/27/12	PRODUCT DESCRIPTION NEMA ENCLOSURE 14x10x4 INDOOR PoE W/FAN	
COLOR VARIATIONS MAY OCCUR	SIZE A	FSCM NO. 43321	DWG. NO. NBP141004-40F	REV. A
SCALE: NONE		CAD FILE: NBP141004-40F.SLDDRW		SHEET 1 OF 1