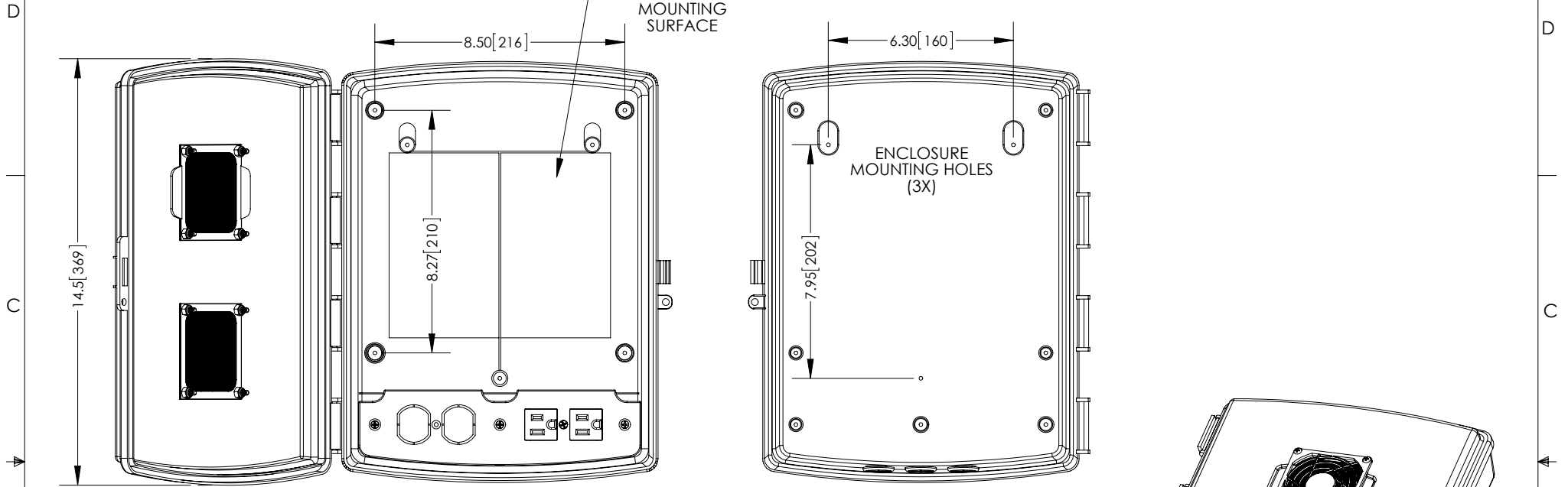
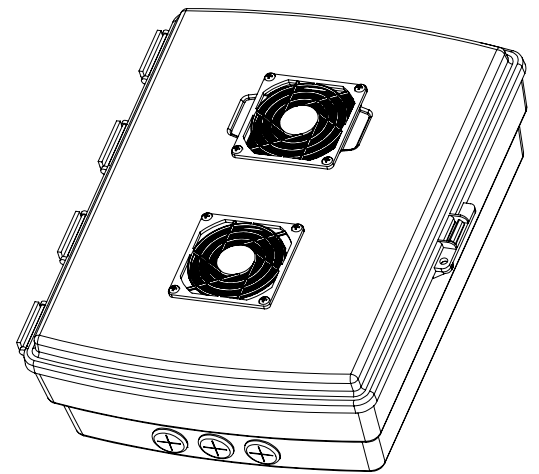


THE INFORMATION CONTAINED IN THIS DRAWING IS THE SOLE PROPERTY OF L-COM, INC. ANY REPRODUCTION IN PART OR WHOLE WITHOUT THE WRITTEN PERMISSION OF L-COM, INC. IS PROHIBITED.

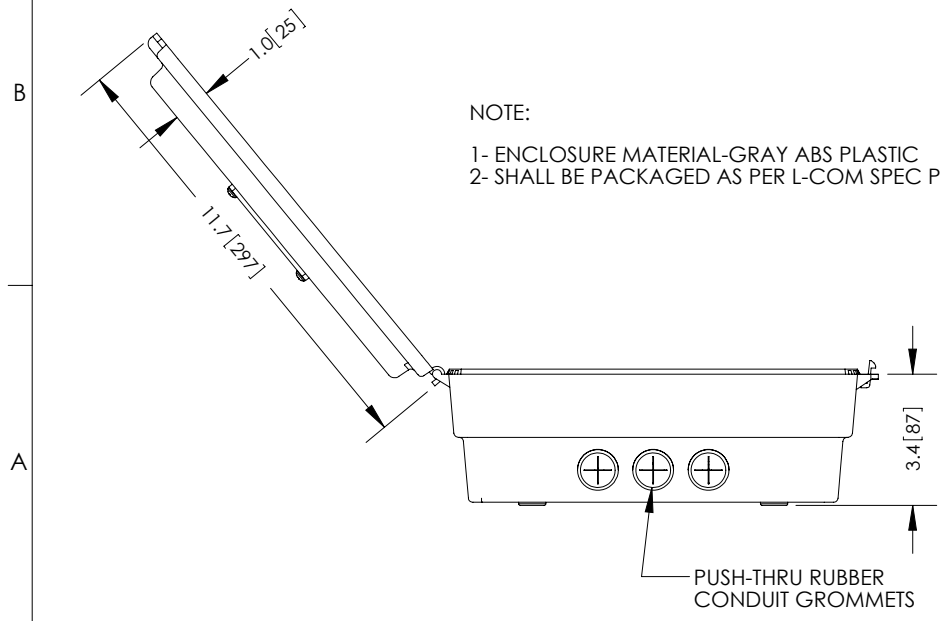
REVISIONS			
REV	DESCRIPTION	DATE	APPROVED
A	INITIAL RELEASE	08/01/12	D.GRIFFIN
-	-	-	-
-	-	-	-



BACK OF ENCLOSURE



NOTE:
 1- ENCLOSURE MATERIAL-GRAY ABS PLASTIC
 2- SHALL BE PACKAGED AS PER L-COM SPEC PKG-00070



PUSH-THRU RUBBER CONDUIT GROMMETS

RoHS Compliant ✓

UNLESS OTHERWISE SPECIFIED, DIMENSIONS ARE IN INCHES [mm]	APPROVALS	DATE		45 BEECHWOOD DRIVE NORTH ANDOVER, MA 01845
	DRAWN BY B.PUCHASKI	08/01/12		
DIMENSIONAL TOLERANCES: .X = ±.1 .XX = ±.01 .XXX = ±.005	CHECKED BY P.PESA	08/01/12	CATEGORY	
	APPROVED BY P.PESA	08/01/12	ENCLOSURE	
ANGULAR TOLERANCES: ALL = ± 1°	CONFIGURATION DETAILS OF UNDIMENSIONED FEATURES MAY VARY		PRODUCT DESCRIPTION	
PROJECTION	COLOR VARIATIONS MAY OCCUR	SIZE A	FSCM NO. 43321	DWG. NO. NBP141004-10V
		SCALE: NONE	CAD FILE: NBP141004-10V.SLDDRW	SHEET 1 OF 1