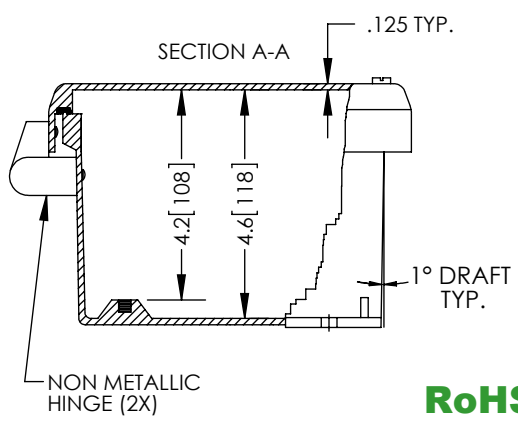
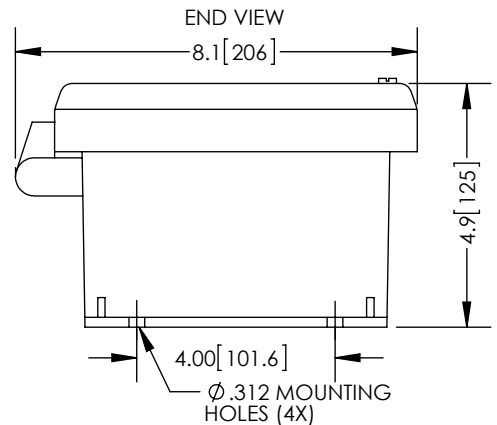
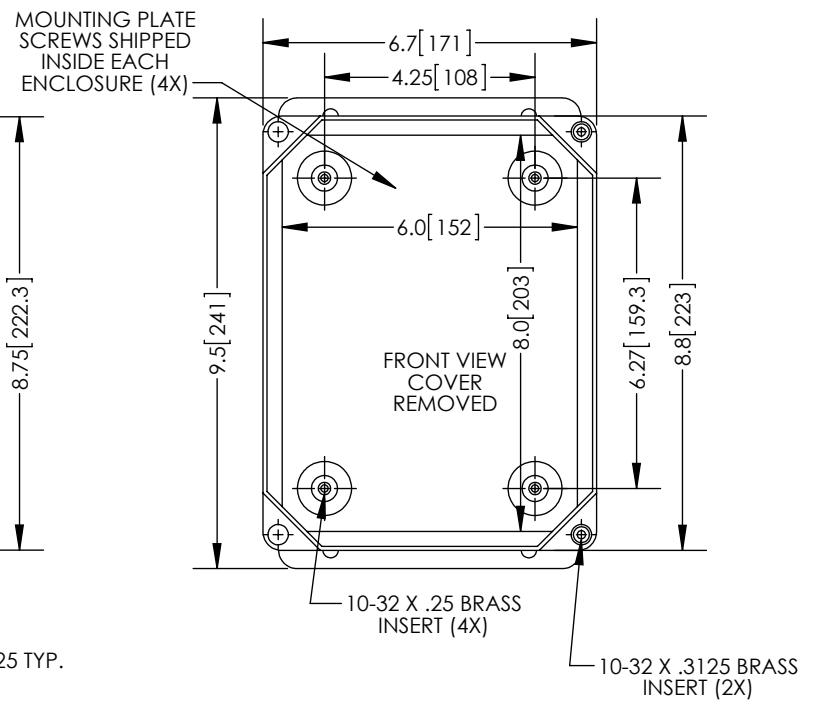
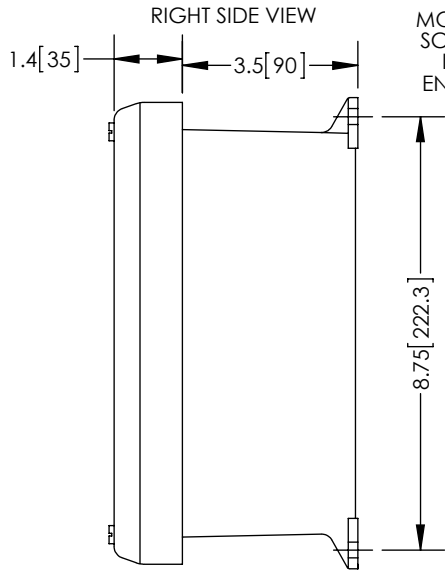
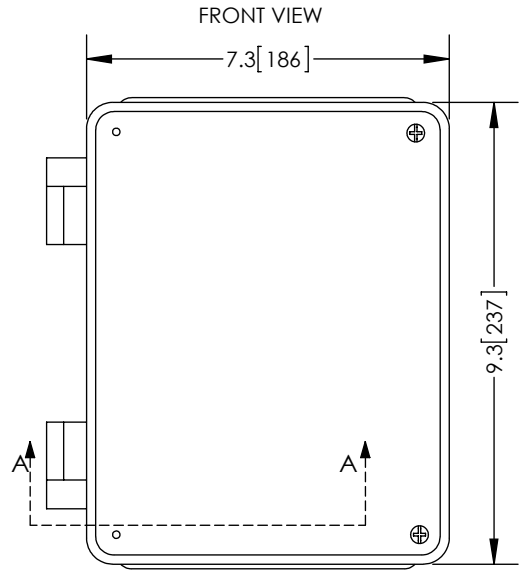


THE INFORMATION CONTAINED IN THIS DRAWING IS THE SOLE PROPERTY OF L-COM, INC. ANY REPRODUCTION IN PART OR WHOLE WITHOUT THE WRITTEN PERMISSION OF L-COM, INC. IS PROHIBITED.

REVISIONS			
REV	DESCRIPTION	DATE	APPROVED
A	INITIAL RELEASE	01/03/13	D.GRIFFIN



RoHS Compliant ✓

- NOTE:
 1- ENCLOSURE MATERIAL-GRAY (RAL7035)
 HOT MOLDED FIBERGLASS REINFORCED POLYESTER
 2- NEMA RATED TYPE 3, 3R, 3S, 4, 4X, 12 AND 13 PRIOR TO MODIFICATIONS.
 3- IEC 529 RATED IP 66 PRIOR TO MODIFICATION.
 4- TEMPERATURE RANGE FROM -50 DEG C TO 150 DEG C.
 5- SELF EXTINGUISHING AND HALOGEN FREE
 6- ENCLOSURES ARE MAINTENANCE FREE AND CORROSION RESISTANT.
 7- SHALL BE PACKAGED AS PER L-COM SPEC PKG-00070
 8- ALL DIMENSIONS FOR REFERENCE ONLY

UNLESS OTHERWISE SPECIFIED, DIMENSIONS ARE IN INCHES [mm] DIMENSIONAL TOLERANCES: .X = ±.1 .XX = ±.01 .XXX = ±.005 ANGULAR TOLERANCES: ALL = ± 1° PROJECTION 	APPROVALS	DATE		45 BEECHWOOD DRIVE NORTH ANDOVER, MA 01845	
	DRAWN BY B.PUCHASKI	01/03/13			
	CHECKED BY P.PESA	01/03/13	CATEGORY	ENCLOSURE	
	APPROVED BY P.PESA	01/03/13	PRODUCT DESCRIPTION	FRP NEMA ENCLOSURE - 8 X 6 X 4 NM HINGE W/SCREW COVER	
	COLOR VARIATIONS MAY OCCUR	SIZE A	FSCM NO. 43321	DWG. NO. NBN080604	REV. A
		SCALE: NONE	CAD FILE: NBN080604.SLDRW		SHEET 1 OF 1