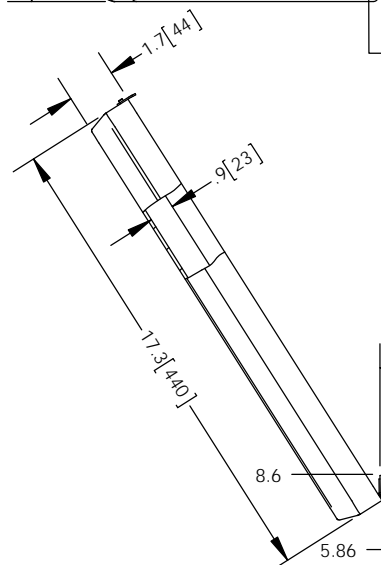
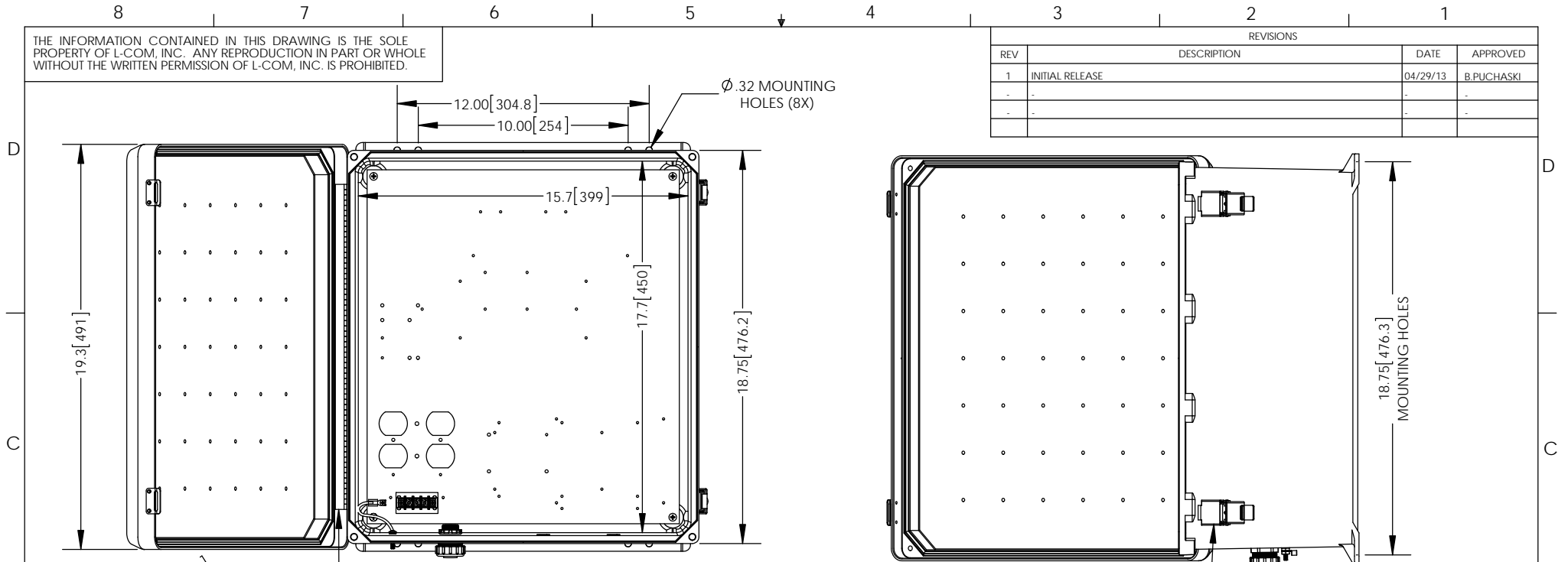
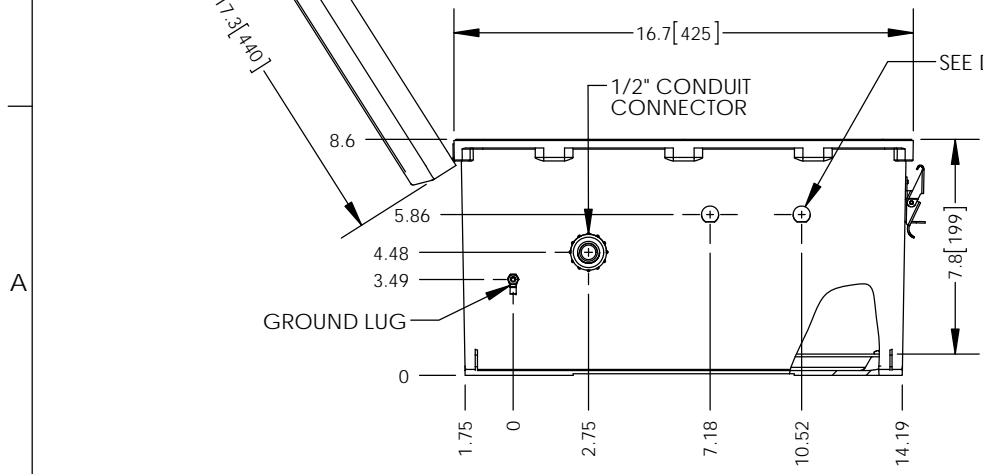
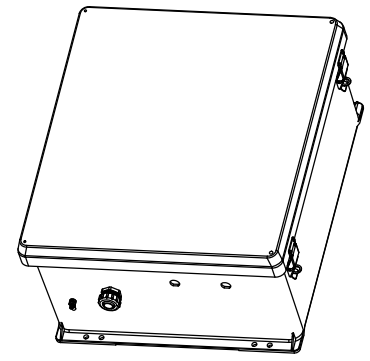
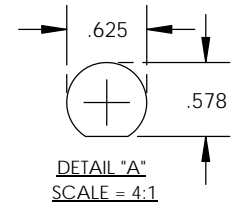


THE INFORMATION CONTAINED IN THIS DRAWING IS THE SOLE PROPERTY OF L-COM, INC. ANY REPRODUCTION IN PART OR WHOLE WITHOUT THE WRITTEN PERMISSION OF L-COM, INC. IS PROHIBITED.

REVISIONS			
REV	DESCRIPTION	DATE	APPROVED
1	INITIAL RELEASE	04/29/13	B.PUCHASKI
-	-	-	-
-	-	-	-



NOTE:  
 1- ENCLOSURE MATERIAL-GRAY (RAL7035)  
 HOT MOLDED FIBERGLASS REINFORCED POLYESTER  
 2- SELF EXTINGUISHING AND HALOGEN FREE.  
 3- CABINETS ARE MAINTENANCE FREE AND CORROSION RESISTANT.  
 4- SHALL BE PACKAGED AS PER L-COM SPEC PKG-00070  
 5- ALL DIMENSIONS FOR REFERENCE ONLY.



RoHS Compliant ✓

UNLESS OTHERWISE SPECIFIED, DIMENSIONS ARE IN INCHES [mm]  DIMENSIONAL TOLERANCES: .X = ±.1 .XX = ±.01 .XXX = ±.005  ANGULAR TOLERANCES: ALL = ± 1°  PROJECTION	APPROVALS DRAWN BY B.PUCHASKI	DATE 04/23/13	45 BEECHWOOD DRIVE NORTH ANDOVER, MA 01845	
	CHECKED BY P.PESA	DATE 04/23/13		CATEGORY ENCLOSURE
	APPROVED BY P.PESA	DATE 04/23/13	PRODUCT DESCRIPTION NEMA ENCLOSURE 18 X 16 X 8 WEATHERPROOF 12VDC	
	COLOR VARIATIONS MAY OCCUR	SIZE A	FSCM NO. 43321	DWG. NO. NB181608-500
SCALE: NONE		CAD FILE: NB181608-500.SLDDRW		SHEET 1 OF 1