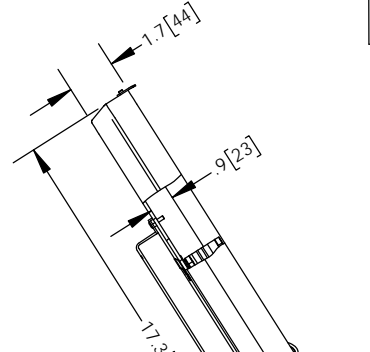
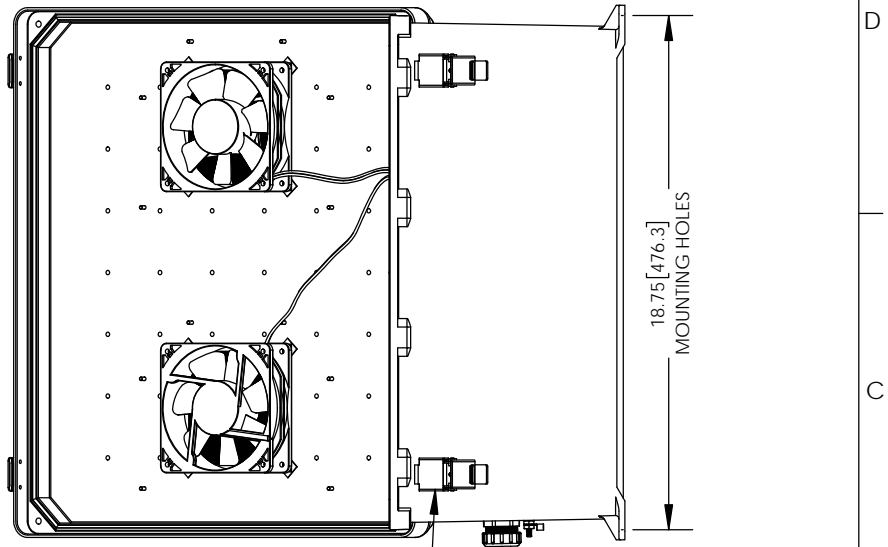
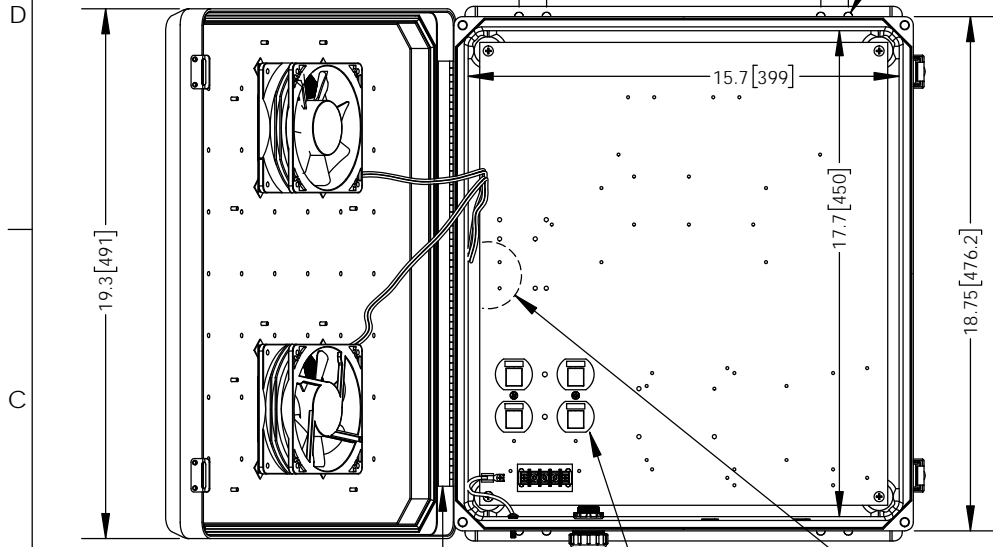


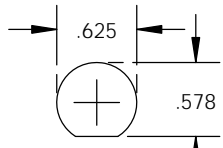
THE INFORMATION CONTAINED IN THIS DRAWING IS THE SOLE PROPERTY OF L-COM, INC. ANY REPRODUCTION IN PART OR WHOLE WITHOUT THE WRITTEN PERMISSION OF L-COM, INC. IS PROHIBITED.

REVISIONS			
REV	DESCRIPTION	DATE	APPROVED
A	INITIAL RELEASE	04/30/2013	BPUCHASKI
B	ECN 9385 ADDED (2X) DUPLEX OUTLET HOLE FILLER	08/30/2018	BPUCHASKI

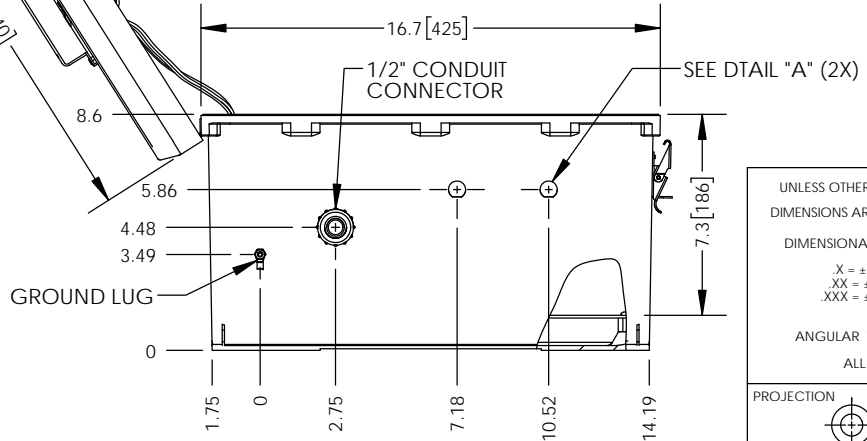
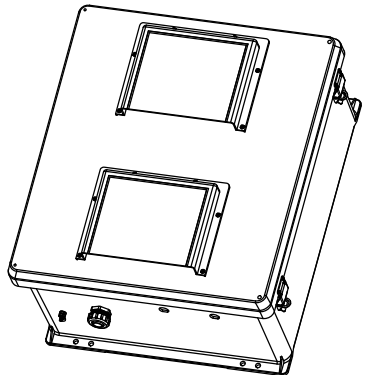


**NOTE:**  
 1- ENCLOSURE MATERIAL-GRAY (RAL7035)  
 HOT MOLDED FIBERGLASS REINFORCED POLYESTER  
 2- SELF EXTINGUISHING AND HALOGEN FREE.  
 3- CABINETS ARE MAINTENANCE FREE AND CORROSION RESISTANT.  
 4- SHALL BE PACKAGED AS PER L-COM SPEC PKG-00070  
 5- ALL DIMENSIONS FOR REFERENCE ONLY.

**REGULATORY COMPLIANCE:**  
 CE2011/65/EU(RoHS DIRECTIVE)



DETAIL "A"  
 SCALE = 4:1



UNLESS OTHERWISE SPECIFIED, DIMENSIONS ARE IN INCHES [mm]  DIMENSIONAL TOLERANCES: .X = ±.1 [2.54] .XX = ±.01 [.25] .XXX = ±.005 [.13]  ANGULAR TOLERANCES: ALL = ± 1°	APPROVALS DRAWN BY BPUCHASKI	DATE 04/30/2013		50 HIGH STREET NORTH ANDOVER, MA 01845		
	CHECKED BY P.PSEA	04/30/2013		CATEGORY <b>ENCLOSURE</b>		
	APPROVED BY P.PSEA	04/30/2013	PRODUCT DESCRIPTION <b>NEMA ENCLOSURE 18 X 16 X 8 WEATHERPROOF          240VAC W/ FANS</b>			
	PROJECTION 	CONFIGURATION DETAILS OF UNDIMENSIONED FEATURES MAY VARY	COLOR VARIATIONS MAY OCCUR	SIZE <b>A</b>	CAGE CODE <b>43321</b>	DWG. NO. <b>NB181608-20F</b>
SCALE: NONE			CAD FILE: NB181608-20F.SLDDRW		SHEET 1 OF 1	