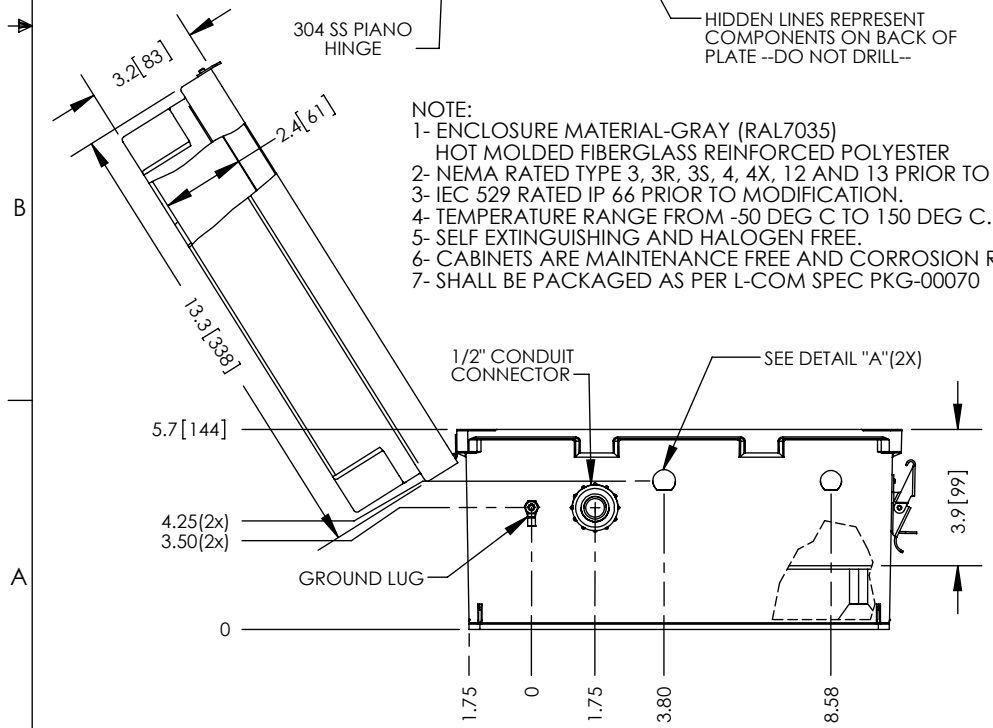
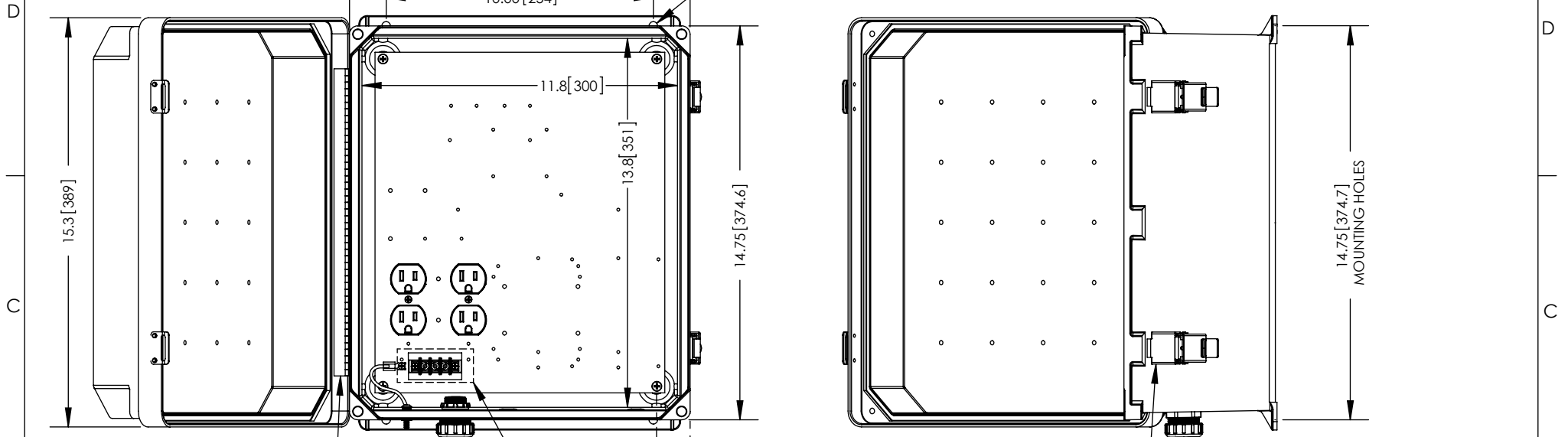
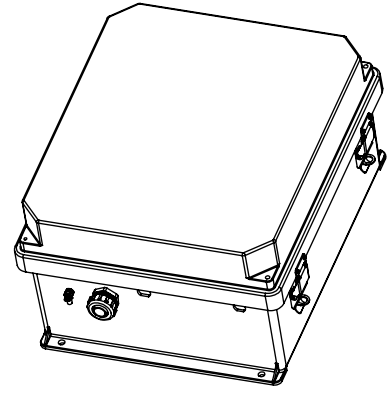
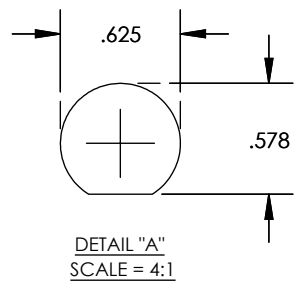


THE INFORMATION CONTAINED IN THIS DRAWING IS THE SOLE PROPERTY OF L-COM, INC. ANY REPRODUCTION IN PART OR WHOLE WITHOUT THE WRITTEN PERMISSION OF L-COM, INC. IS PROHIBITED.

REVISIONS			
REV	DESCRIPTION	DATE	APPROVED
A	INITIAL RELEASE	4/16/13	D.GRIFFIN
-	-	-	-
-	-	-	-



- NOTE:  
 1- ENCLOSURE MATERIAL-GRAY (RAL7035)  
 HOT MOLDED FIBERGLASS REINFORCED POLYESTER  
 2- NEMA RATED TYPE 3, 3R, 3S, 4, 4X, 12 AND 13 PRIOR TO MODIFICATIONS.  
 3- IEC 529 RATED IP 66 PRIOR TO MODIFICATION.  
 4- TEMPERATURE RANGE FROM -50 DEG C TO 150 DEG C.  
 5- SELF EXTINGUISHING AND HALOGEN FREE.  
 6- CABINETS ARE MAINTENANCE FREE AND CORROSION RESISTANT.  
 7- SHALL BE PACKAGED AS PER L-COM SPEC PKG-00070



**RoHS Compliant** ✓

UNLESS OTHERWISE SPECIFIED, DIMENSIONS ARE IN INCHES [mm]  DIMENSIONAL TOLERANCES: .X = ±.1 .XX = ±.01 .XXX = ±.005  ANGULAR TOLERANCES: ALL = ± 1°  PROJECTION	APPROVALS DRAWN BY B.PUCHASKI	DATE 04/15/13		45 BEECHWOOD DRIVE NORTH ANDOVER, MA 01845	
	CHECKED BY P.PESA	DATE 04/15/13			CATEGORY ENCLOSURE
	APPROVED BY P.PESA	DATE 04/15/13	PRODUCT DESCRIPTION NEMA ENCLOSURE 14 X 12 X 7 WEATHERPROOF 120VAC - UL APPROVED		
	CONFIGURATION DETAILS OF UNDIMENSIONED FEATURES MAY VARY	COLOR VARIATIONS MAY OCCUR	SIZE <b>A</b>	FSCM NO. <b>43321</b>	DWG. NO. NB141207-100-UL
SCALE: NONE		CAD FILE: NB141207-100-UL.SLDDRW		SHEET 1 OF 1	