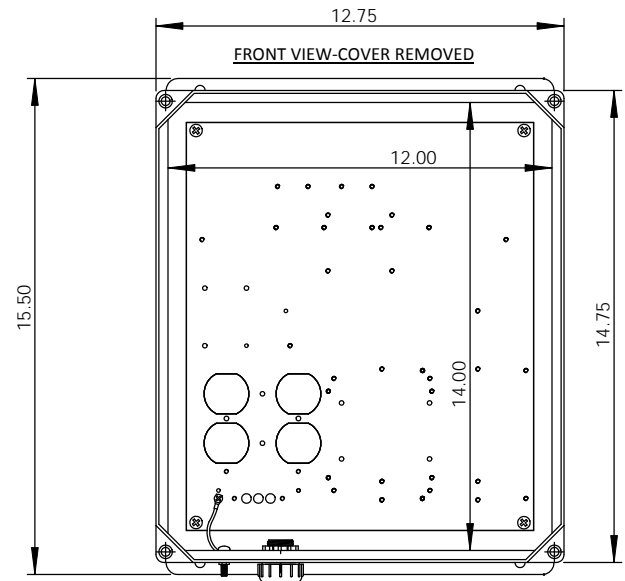


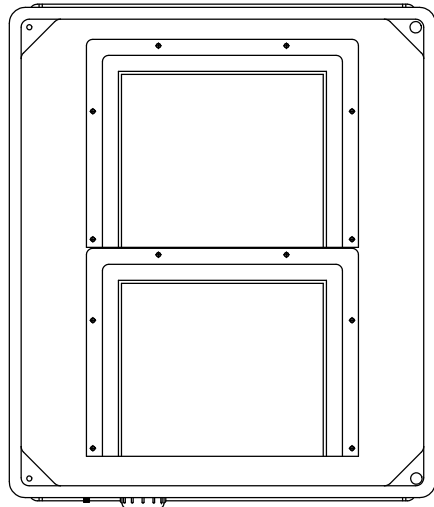
THE INFORMATION CONTAINED IN THIS DRAWING IS THE SOLE PROPERTY OF L-COM, INC. ANY REPRODUCTION IN PART OR WHOLE WITHOUT THE WRITTEN PERMISSION OF L-COM, INC. IS PROHIBITED.

REVISIONS			
REV	DESCRIPTION	DATE	APPROVED
A	Initial Release	08/24/10	B.Puchaski
-	-	-	-
-	-	-	-

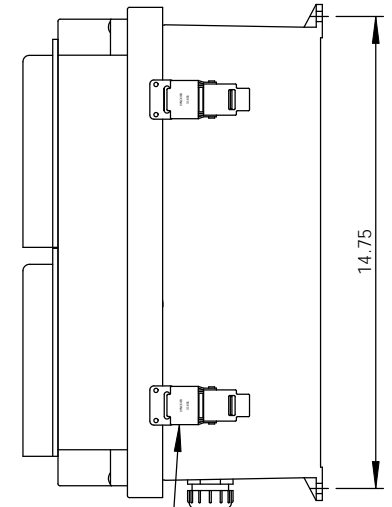
D
C
B
A



FRONT VIEW

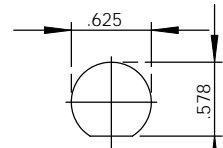
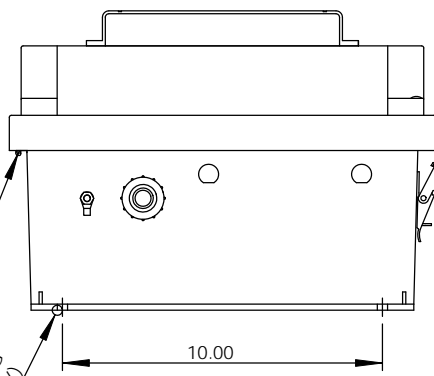


RIGHT SIDE VIEW

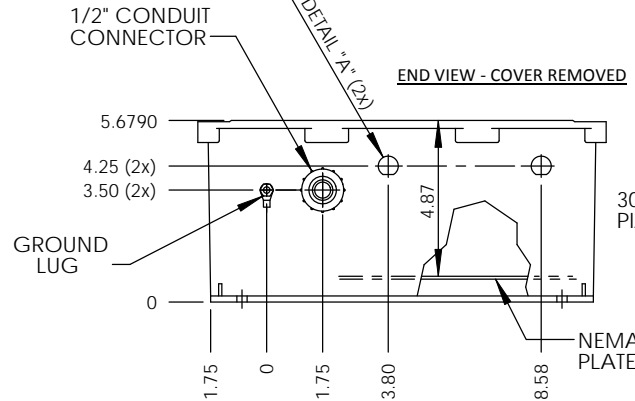


316 STAINLESS STEEL
PADLOCKABLE LATCHES
Ø.375 PADLOCK EYE

END VIEW



DETAIL 'A'
SCALE = 4:1



304 STAINLESS STEEL
PIANO HINGE

Ø0.32
MOUNTING
HOLE (4X)

- NOTE:
- ENCLOSURE MATERIAL-GRAY (RAL7035)
HOT MOLDED FIBERGLASS REINFORCED POLYESTER
 - NEMA RATED TYPE 3, 3R, 3S, 4, 4X, 12 AND 13 PRIOR TO MODIFICATIONS.
 - IEC 529 RATED IP 66 PRIOR TO MODIFICATION.
 - TEMPERATURE RANGE FROM -50 DEG C TO 150 DEG C.
 - SELF EXTINGUISHING AND HALOGEN FREE.
 - CABINETS ARE MAINTENANCE FREE AND CORROSION RESISTANT.
 - SHALL BE PACKAGED AS PER L-COM SPEC PKG-00070

UNLESS OTHERWISE SPECIFIED, DIMENSIONS ARE IN INCHES [mm] DIMENSIONAL TOLERANCES: .X = ±.1 .XX = ±.01 .XXX = ±.005 ANGULAR TOLERANCES: ALL = ± 1° PROJECTION 	APPROVALS DRAWN BY B.Puchaski CHECKED BY K.Blomgren APPROVED BY K.Blomgren	DATE 08/24/10 08/24/10 08/24/10	45 BEECHWOOD DRIVE NORTH ANDOVER, MA 01845	
	CATEGORY ENCLOSURE			PRODUCT DESCRIPTION NEMA 3R 14 x 12 x 7 Weatherproof Vented Enclosure w/Drilled Plate
	COLOR VARIATIONS MAY OCCUR		SIZE A	
	SCALE: NONE		FSCM NO. 43321	DWG. NO. NB141207-00V

8 7 6 5 4 3 2 1