

6

5

4

3

2

1

REVISION

ZONE	REV	DESCRIPTION	DATE	CHANGED BY	APPROVED
	A	INITIAL RELEASE	04/10/2025	DMAY	DREBECK

F

E

D

C

B

A

F

E

D

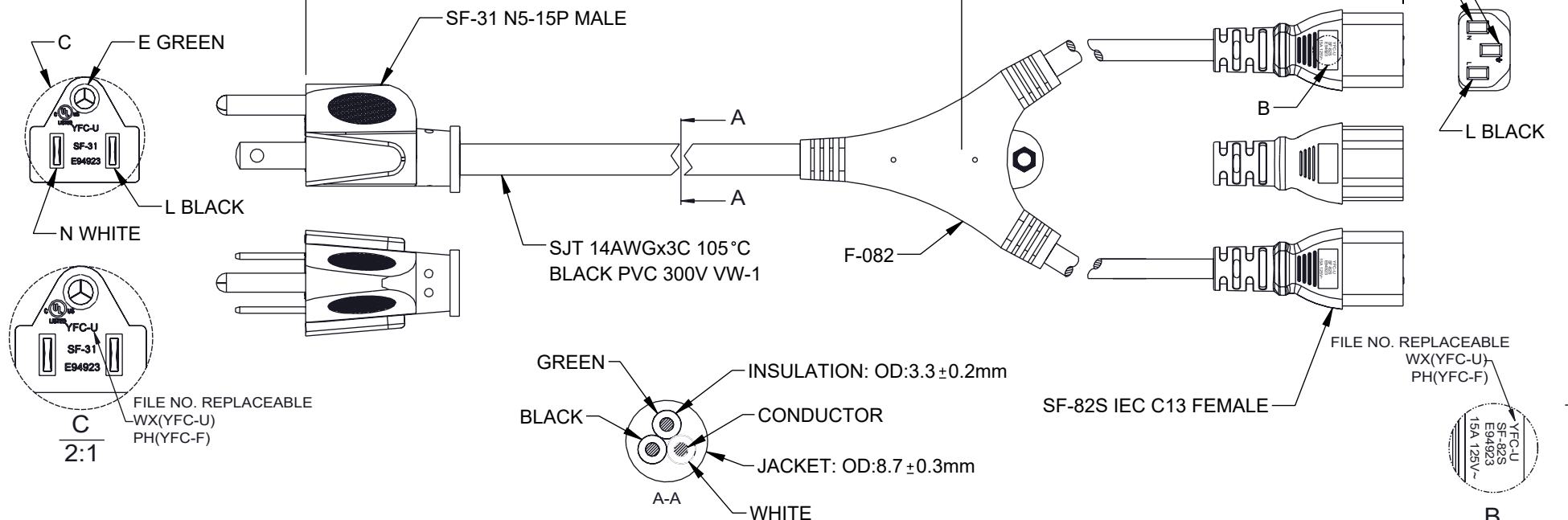
C

B

A

LENGTH (L1)

LENGTH (L2)



NOTES:

- VOLTAGE RATING:
DIELECTRIC VOLTAGE WITHSTAND TEST: 1500V / 1 SEC
CONDUCTOR RESISTANCE $\leq 9.05\Omega/1000m$
VOLTAGE RATING AC 300V
- CABLE MARKING:
WX(NO.442): (UL) E135710-F5 SJT 3x14AWG 105°C 300V VW-1
c(UL)SJT 3x2.08mm² (14AWG) 105°C 300V FT2
PH(NO.855): (UL) E135710-F7 SJT 3x14AWG 105°C 300V VW-1
c(UL)SJT 3x2.08mm² (14AWG) 105°C 300V FT2
- CABLE ASSEMBLY SHALL BE INDIVIDUALLY PACKAGED.

THE INFORMATION CONTAINED IN THIS DRAWING IS THE SOLE PROPERTY OF INFINITE ELECTRONICS, INC. ANY REPRODUCTION IN PART OR WHOLE WITHOUT THE WRITTEN PERMISSION OF INFINITE ELECTRONICS, INC. IS PROHIBITED. THESE COMMODITIES, TECHNOLOGY OR SOFTWARE WERE EXPORTED FROM THE UNITED STATES IN ACCORDANCE WITH THE EXPORT ADMINISTRATION REGULATIONS. DIVERSION CONTRARY TO U.S. LAW PROHIBITED.

ITEM NUMBER	LENGTH (L1) INCHES [mm]	LENGTH (L2) INCHES [mm]
N515P-C132-15-10F	120 ± 1.2 [3048 ± 30]	19.7 ± .6 [500 ± 15]
N515P-C132-15-15F	180 ± 1.2 [4572 ± 30]	16.7 ± .6 [500 ± 15]

UNLESS OTHERWISE SPECIFIED
LEADING DIMENSIONS ARE INCHES
DIMENSIONS IN [] ARE MILLIMETERS

TOLERANCES:

X = ± 2 [5]	FRACTIONS
.XX = ± 0.02 [0.5]	± 1/32
.XXX = ± 0.005 [0.13]	ANGLES ± 1°

CABLE LENGTH TOLERANCES:

≤ 12 [305]	= +1 [25] / -0
> 12 [305] ≤ 60 [1524]	= +2 [51] / -0
> 60 [1524] ≤ 120 [3048]	= +4 [102] / -0
> 120 [3048] ≤ 300 [7620]	= +6 [152] / -0
> 300 [7620]	= +5% / -0

ALL DIMENSIONS ARE FOR REFERENCE ONLY
AND SUBJECT TO CHANGE WITHOUT NOTICE.
UN-DIMENSIONED NON-CRITICAL FEATURES
MAY VARY IN SIZE AND LOCATION
COLORS MAY VARY

L-com
an INFINIT® brand

Website: www.L-com.com
Phone: 1.800.341.5266 | 1.978.682.6936



INTERPRET ALL DIMENSIONS AND
TOLERANCES PER ASME Y14.5

SCALE	SHEET
NONE	1 OF 2

DESCRIPTION
NEMA 5-15 TO C13 SPLITTER POWER CORD-15 AMP

SIZE	CAGE CODE	DRAWN BY	ITEM NO.	REV
A	43321	DMAY	N515P-C132-15Y	A

6

5

4

3

2

1

6

5

4

3

2

1

F

F

E

E

D

D

C

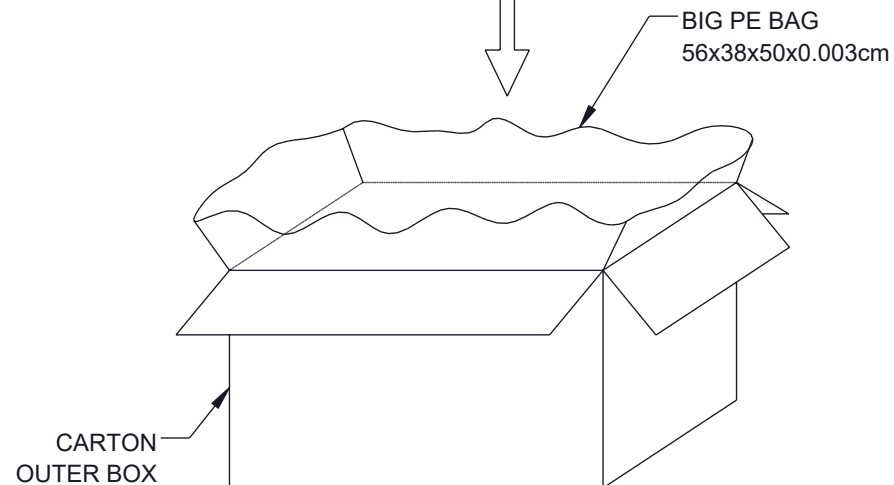
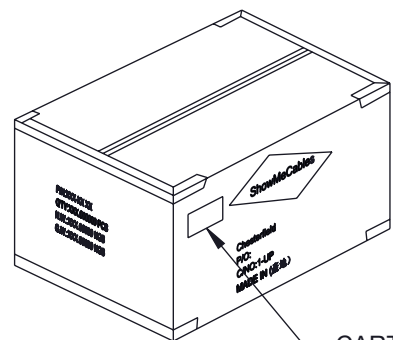
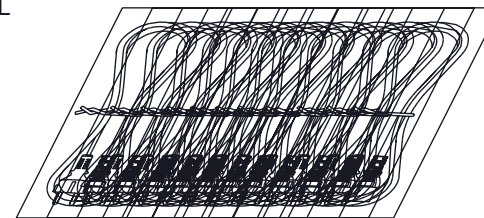
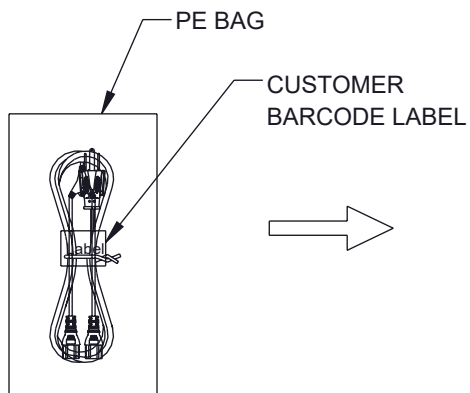
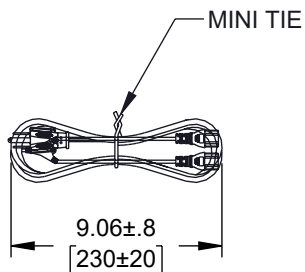
C

B


B

A

A

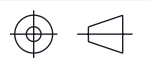


CUSTOMER ITEM NO.	LENGTH(mm)	QTY	CARTON SIZE
N515P-C132-15-10F	3048 ±30	30	50x32x23cm
N515P-C132-15-15F	4572 ±30	20	50x32x23cm



an INFINIT@ brand

Website: www.L-com.com
Phone: 1.800.341.5266 | 1.978.682.6936



INTERPRET ALL DIMENSIONS AND TOLERANCES PER ASME Y14.5

SCALE	SHEET
NONE	2 OF 2

DESCRIPTION

NEMA 5-15 TO C13 SPLITTER POWER CORD-15 AMP

SIZE	CAGE CODE	DRAWN BY	ITEM NO.	REV
A	43321	DMAY	N515P-C132-15Y	A

THE INFORMATION CONTAINED IN THIS DRAWING IS THE SOLE PROPERTY OF INFINITE ELECTRONICS, INC. ANY REPRODUCTION IN PART OR WHOLE WITHOUT THE WRITTEN PERMISSION OF INFINITE ELECTRONICS, INC. IS PROHIBITED. THESE COMMODITIES, TECHNOLOGY OR SOFTWARE WERE EXPORTED FROM THE UNITED STATES IN ACCORDANCE WITH THE EXPORT ADMINISTRATION REGULATIONS. DIVERSION CONTRARY TO U.S. LAW PROHIBITED.

ALL DIMENSIONS ARE FOR REFERENCE ONLY AND SUBJECT TO CHANGE WITHOUT NOTICE. UN-DIMENSIONED/NON-CRITICAL FEATURES MAY VARY IN SIZE AND LOCATION. COLORS MAY VARY.

6

5

4

3

2

1