

6

5

4

3

2

1

## REVISION

ZONE	REV	DESCRIPTION	DATE	CHANGED BY	APPROVED
	A	INITIAL RELEASE	04/07/2025	DMAY	DREBECK

F

E

D

C

B

A

F

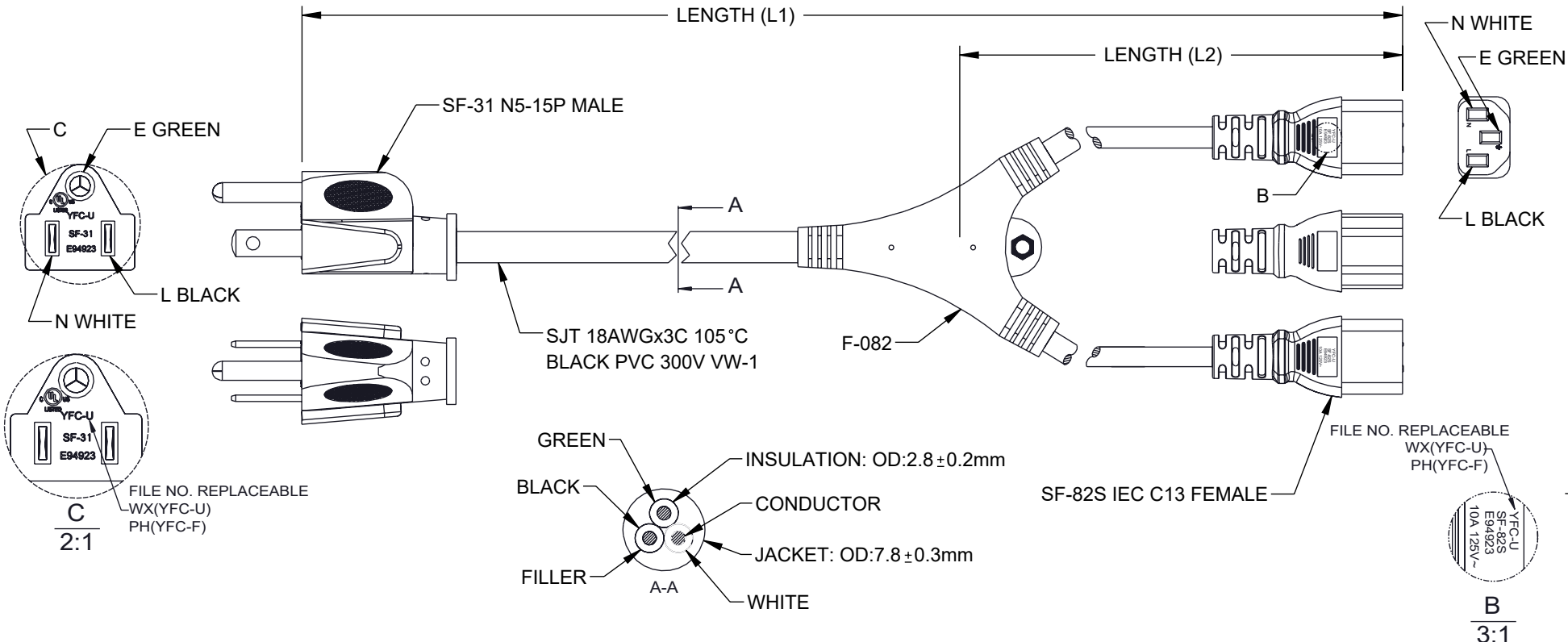
E

D

C

B

A



## NOTES:

- VOLTAGE RATING:  
DIELECTRIC VOLTAGE WITHSTAND TEST: 1500V / 1 SEC  
CONDUCTOR RESISTANCE  $\leq 22.84\Omega/1000m$   
VOLTAGE RATING AC 300V
- CABLE MARKING:  
WX(NO.441): (UL) E135710-F5 SJT 3x18AWG 105°C 300V VW-1  
c(UL)SJT 3x0.824mm<sup>2</sup> (18AWG) 105°C 300V FT2  
PH(NO.854): (UL) E135710-F7 SJT 3x18AWG 105°C 300V VW-1  
c(UL)SJT 3x0.824mm<sup>2</sup> (18AWG) 105°C 300V FT2
- CABLE ASSEMBLY SHALL BE INDIVIDUALLY PACKAGED.

THE INFORMATION CONTAINED IN THIS DRAWING IS THE SOLE PROPERTY OF INFINITE ELECTRONICS, INC. ANY REPRODUCTION IN PART OR WHOLE WITHOUT THE WRITTEN PERMISSION OF INFINITE ELECTRONICS, INC. IS PROHIBITED. THESE COMMODITIES, TECHNOLOGY OR SOFTWARE WERE EXPORTED FROM THE UNITED STATES IN ACCORDANCE WITH THE EXPORT ADMINISTRATION REGULATIONS. DIVERSION CONTRARY TO U.S. LAW PROHIBITED.

ITEM NUMBER	LENGTH (L1) INCHES [mm]	LENGTH (L2) INCHES [mm]
N515P-C132-10-10F	120 ± 1.2 [3048 ± 30]	19.7 ± .6 [500 ± 15]
N515P-C132-10-15F	180 ± 1.2 [4572 ± 30]	16.7 ± .6 [500 ± 15]

UNLESS OTHERWISE SPECIFIED  
LEADING DIMENSIONS ARE INCHES  
DIMENSIONS IN [ ] ARE MILLIMETERS

TOLERANCES:  
 .X = ± 2 [5]      FRACTIONS  
 .XX = ± 0.02 [0.5]      ± 1/32  
 .XXX = ± 0.005 [0.13]      ANGLES ± 1°

CABLE LENGTH TOLERANCES:  
 $\leq 12$  [305] = +1 [25] / -0  
 $>12$  [305]  $\leq 60$  [1524] = +2 [51] / -0  
 $>60$  [1524]  $\leq 120$  [3048] = +4 [102] / -0  
 $>120$  [3048]  $\leq 300$  [7620] = +6 [152] / -0  
 $>300$  [7620] = +5% / -0

ALL DIMENSIONS ARE FOR REFERENCE ONLY  
AND SUBJECT TO CHANGE WITHOUT NOTICE.  
UN-DIMENSIONED NON-CRITICAL FEATURES  
MAY VARY IN SIZE AND LOCATION  
COLORS MAY VARY

**L-com**  
an INFINIT® brand

Website: www.L-com.com  
Phone: 1.800.341.5266 | 1.978.682.6936



INTERPRET ALL DIMENSIONS AND  
TOLERANCES PER ASME Y14.5

SCALE	SHEET
NONE	1 OF 2

DESCRIPTION  
NEMA 5-15 TO C13 SPLITTER POWER CORD-10 AMP

SIZE	CAGE CODE	DRAWN BY	ITEM NO.	REV
A	43321	DMAY	N515P-C132-10Y	A

6

5

4

3

2

1

6

5

4

3

2

1

F

F

E

E

D

D

C

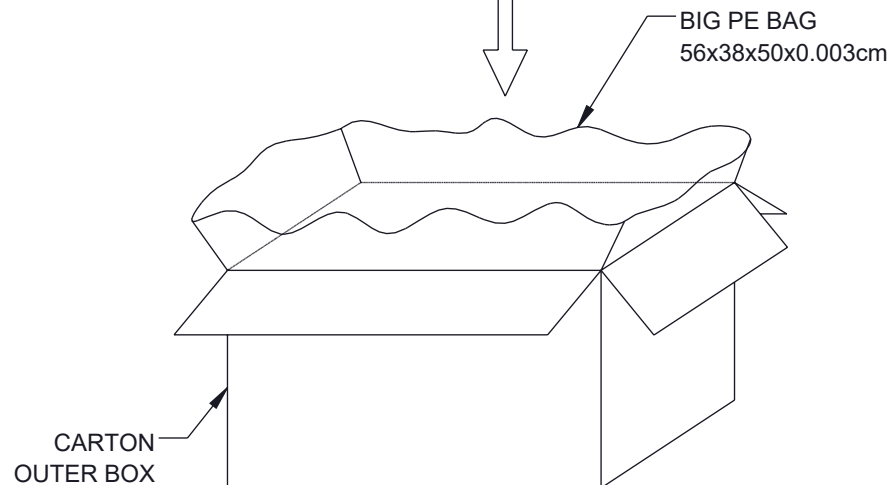
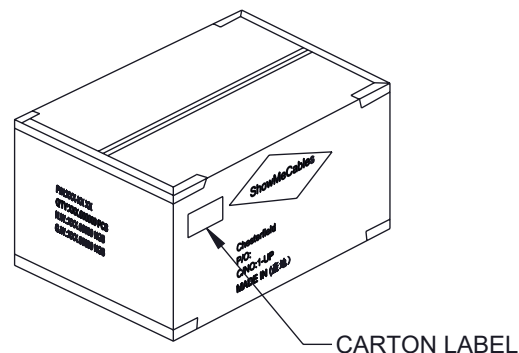
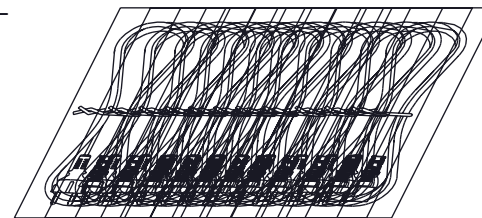
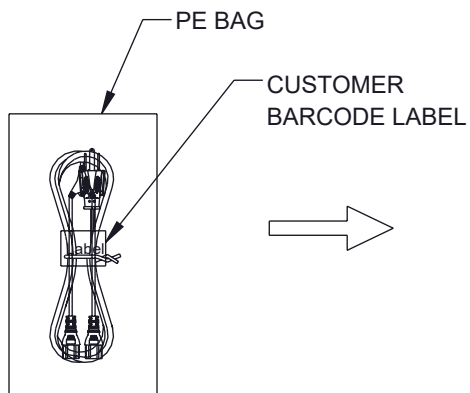
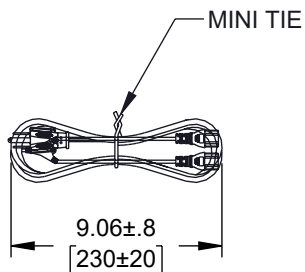
C

B


B

A

A

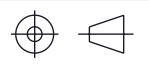


CUSTOMER ITEM NO.	LENGTH(mm)	QTY	CARTON SIZE
N515P-C132-10-10F	3048 ±30	60	50x32x28cm
N515P-C132-10-15F	4572 ±30	50	50x32x28cm



**an INFINIT@ brand**

Website: [www.L-com.com](http://www.L-com.com)  
Phone: 1.800.341.5266 | 1.978.682.6936



INTERPRET ALL DIMENSIONS AND TOLERANCES PER ASME Y14.5

SCALE	SHEET
NONE	2 OF 2

DESCRIPTION				
NEMA 5-15 TO C13 SPLITTER POWER CORD-10 AMP				
SIZE	CAGE CODE	DRAWN BY	ITEM NO.	REV
A	43321	DMAY	N515P-C132-10Y	A

THE INFORMATION CONTAINED IN THIS DRAWING IS THE SOLE PROPERTY OF INFINITE ELECTRONICS, INC. ANY REPRODUCTION IN PART OR WHOLE WITHOUT THE WRITTEN PERMISSION OF INFINITE ELECTRONICS, INC. IS PROHIBITED. THESE COMMODITIES, TECHNOLOGY OR SOFTWARE WERE EXPORTED FROM THE UNITED STATES IN ACCORDANCE WITH THE EXPORT ADMINISTRATION REGULATIONS. DIVERSION CONTRARY TO U.S. LAW PROHIBITED.

ALL DIMENSIONS ARE FOR REFERENCE ONLY AND SUBJECT TO CHANGE WITHOUT NOTICE. UN-DIMENSIONED/NON-CRITICAL FEATURES MAY VARY IN SIZE AND LOCATION. COLORS MAY VARY.

6

5

4

3

2

1