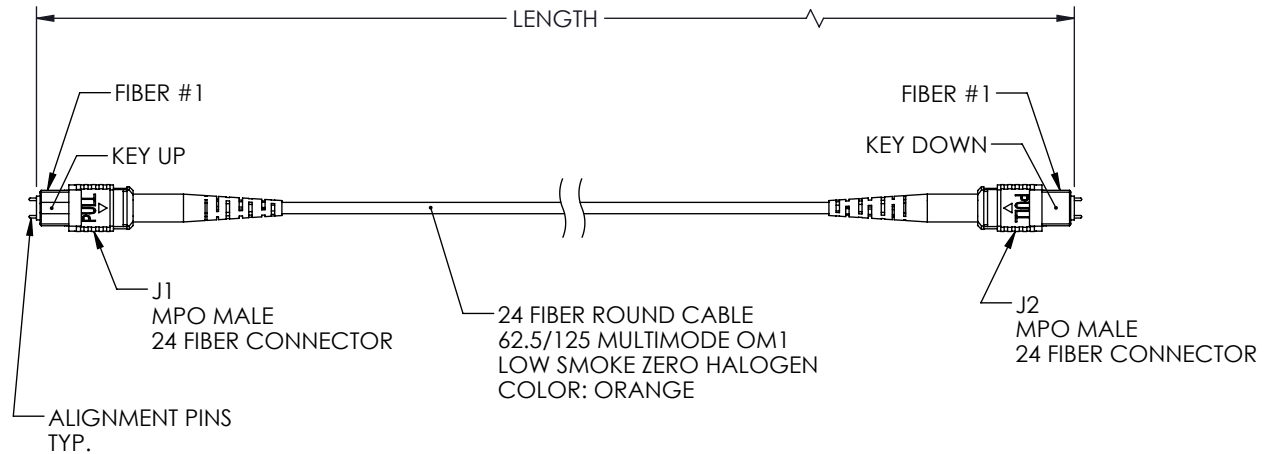


THE INFORMATION CONTAINED IN THIS DRAWING IS THE SOLE PROPERTY OF L-COM, INC. ANY REPRODUCTION IN PART OR WHOLE WITHOUT THE WRITTEN PERMISSION OF L-COM, INC. IS PROHIBITED.

REVISIONS			
REV	DESCRIPTION	DATE	APPROVED
A	INITIAL RELEASE	3/11/22	PHOSPODAR


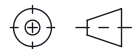
WIRING MAP TYPE A		
J1	COLOR	J2
1	BLUE	13
2	ORANGE	14
3	GREEN	15
4	BROWN	16
5	GRAY	17
6	WHITE	18
7	RED	19
8	BLACK	20
9	YELLOW	21
10	PURPLE	22
11	ROSE	23
12	AQUA	24
13	BLUE/BLACK	1
14	ORANGE/BLACK	2
15	GREEN/BLACK	3
16	BROWN/BLACK	4
17	GRAY/BLACK	5
18	WHITE/BLACK	6
19	RED/BLACK	7
20	BLACK/WHITE	8
21	YELLOW/BLACK	9
22	PURPLE/BLACK	10
23	ROSE/BLACK	11
24	AQUA/BLACK	12



PART NUMBER	METERS [FEET]
MPMM24OM1AZ-1	1.0 [3.28]
MPMM24OM1AZ-3	3.0 [9.84]
MPMM24OM1AZ-5	5.0 [16.40]
MPMM24OM1AZ-10	10.0 [32.81]

- NOTES:
- ALL CONNECTORS ACCOMPANIED WITH A DUST CAP INSTALLED (NOT SHOWN).
 - PACKAGING: INDIVIDUALLY PACKAGE EACH ASSEMBLY IN ACCORDANCE WITH L-COM SPECIFICATION PS-0031.

REGULATORY COMPLIANCE:
EU RoHS DIRECTIVE (MOST RECENT RELEASED VERSION)

UNLESS OTHERWISE SPECIFIED, DIMENSIONS ARE IN INCHES [mm] OVERALL CABLE LENGTH TOLERANCE: ≤12 [305] = +1 [25] / -0 >12 [305] ≤60 [1524] = +2 [51] / -0 >60 [1524] ≤120 [3048] = +4 [102] / -0 >120 [3048] ≤300 [7620] = +6 [152] / -0 >300 [7620] = +5% / -0 ALL OTHER DIMENSIONAL TOLERANCES: .X = ± .2 [5] FRACTIONS ± 1/32 .XX = ± .02 [5] ANGLES ± 1° .XXX = ± .005 [1.3]	APPROVALS	DATE	 50 High Street, West Mill, North Andover, MA 01845 USA. Phone: 1.800.341.5266 1.978.682.6936
	DRAWN BY DMAY	2/16/22	
	APPROVED BY PHOSPODAR	3/11/22	CATEGORY FIBER OPTICS
THIRD-ANGLE PROJECTION 	CONFIGURATION DETAILS OF UNDIMENSIONED FEATURES MAY VARY	PRODUCT DESCRIPTION MPO W/ PINS TO MPO W/ PINS, 24 FIBER, TYPE A 62.5/125 OM1 MMF, LSZH JACKET	
	COLOR VARIATIONS MAY OCCUR	SIZE A	CAGE CODE 43321
		ITEM NO. MPMM24OM1AZ	REV. A
		SCALE: NONE	CAD FILE: MPMM24OM1AZ.SLDDRW
		SHEET 1 OF 1	