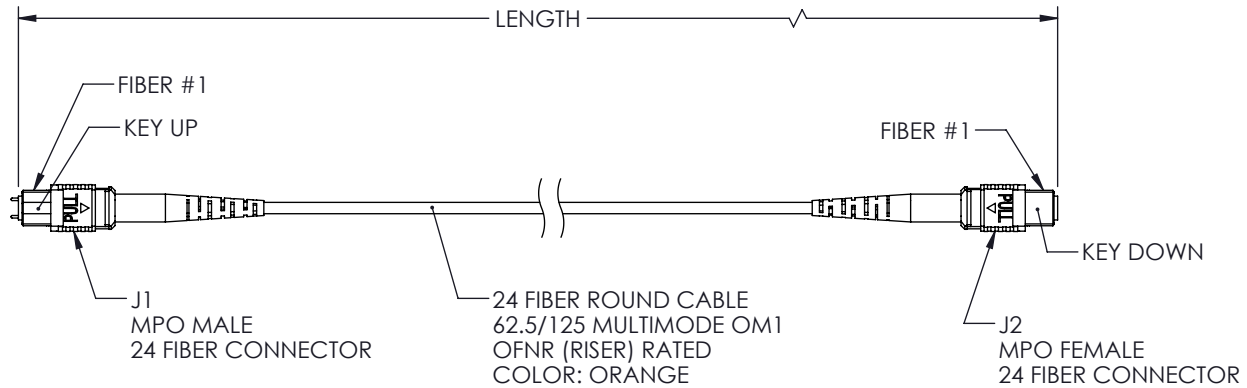


THE INFORMATION CONTAINED IN THIS DRAWING IS THE SOLE PROPERTY OF L-COM, INC. ANY REPRODUCTION IN PART OR WHOLE WITHOUT THE WRITTEN PERMISSION OF L-COM, INC. IS PROHIBITED.

| REVISIONS | | | |
|-----------|-----------------|---------|-----------|
| REV | DESCRIPTION | DATE | APPROVED |
| A | INITIAL RELEASE | 3/11/22 | PHOSPODAR |
| | | | |
| | | | |


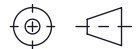
| WIRING MAP TYPE A | | |
|-------------------|--------------|----|
| J1 | COLOR | J2 |
| 1 | BLUE | 13 |
| 2 | ORANGE | 14 |
| 3 | GREEN | 15 |
| 4 | BROWN | 16 |
| 5 | GRAY | 17 |
| 6 | WHITE | 18 |
| 7 | RED | 19 |
| 8 | BLACK | 20 |
| 9 | YELLOW | 21 |
| 10 | PURPLE | 22 |
| 11 | ROSE | 23 |
| 12 | AQUA | 24 |
| 13 | BLUE/BLACK | 1 |
| 14 | ORANGE/BLACK | 2 |
| 15 | GREEN/BLACK | 3 |
| 16 | BROWN/BLACK | 4 |
| 17 | GRAY/BLACK | 5 |
| 18 | WHITE/BLACK | 6 |
| 19 | RED/BLACK | 7 |
| 20 | BLACK/WHITE | 8 |
| 21 | YELLOW/BLACK | 9 |
| 22 | PURPLE/BLACK | 10 |
| 23 | ROSE/BLACK | 11 |
| 24 | AQUA/BLACK | 12 |



| PART NUMBER | METERS [FEET] |
|----------------|---------------|
| MPMF24OM1AR-1 | 1.0 [3.28] |
| MPMF24OM1AR-3 | 3.0 [9.84] |
| MPMF24OM1AR-5 | 5.0 [16.40] |
| MPMF24OM1AR-10 | 10.0 [32.81] |

- NOTES:
- ALL CONNECTORS ACCOMPANIED WITH A DUST CAP INSTALLED (NOT SHOWN).
 - PACKAGING: INDIVIDUALLY PACKAGE EACH ASSEMBLY IN ACCORDANCE WITH L-COM SPECIFICATION PS-0031.

REGULATORY COMPLIANCE:
EU RoHS DIRECTIVE (MOST RECENT RELEASED VERSION)

| | | | |
|--|----------------------------|-------------|--|
| UNLESS OTHERWISE SPECIFIED, DIMENSIONS ARE IN INCHES [mm] OVERALL CABLE LENGTH TOLERANCE: ≤12 [305] = +1 [25] / -0 >12 [305] ≤60 [1524] = +2 [51] / -0 >60 [1524] ≤120 [3048] = +4 [102] / -0 >120 [3048] ≤300 [7620] = +6 [152] / -0 >300 [7620] = +5% / -0 ALL OTHER DIMENSIONAL TOLERANCES: .X = ± .2 [5] FRACTIONS ± 1/32 .XX = ± .02 [5] ANGLES ± 1° .XXX = ± .005 [13] | APPROVALS | DATE |  50 High Street, West Mill, North Andover, MA 01845 USA. Phone: 1.800.341.5266 1.978.682.6936 |
| | DRAWN BY DMAY | 2/16/22 | |
| | CHECKED BY JJOHNSTON | 3/11/22 | PRODUCT DESCRIPTION MPO w/ PINS TO MPO NO PINS, 24 FIBER, TYPE A 62.5/125 OM1 MMF, OFNR JACKET |
| | APPROVED BY PHOSPODAR | 3/11/22 | |
| THIRD-ANGLE PROJECTION  | COLOR VARIATIONS MAY OCCUR | SCALE: NONE | CAD FILE: MPMF24OM1AR.SLDDRW |