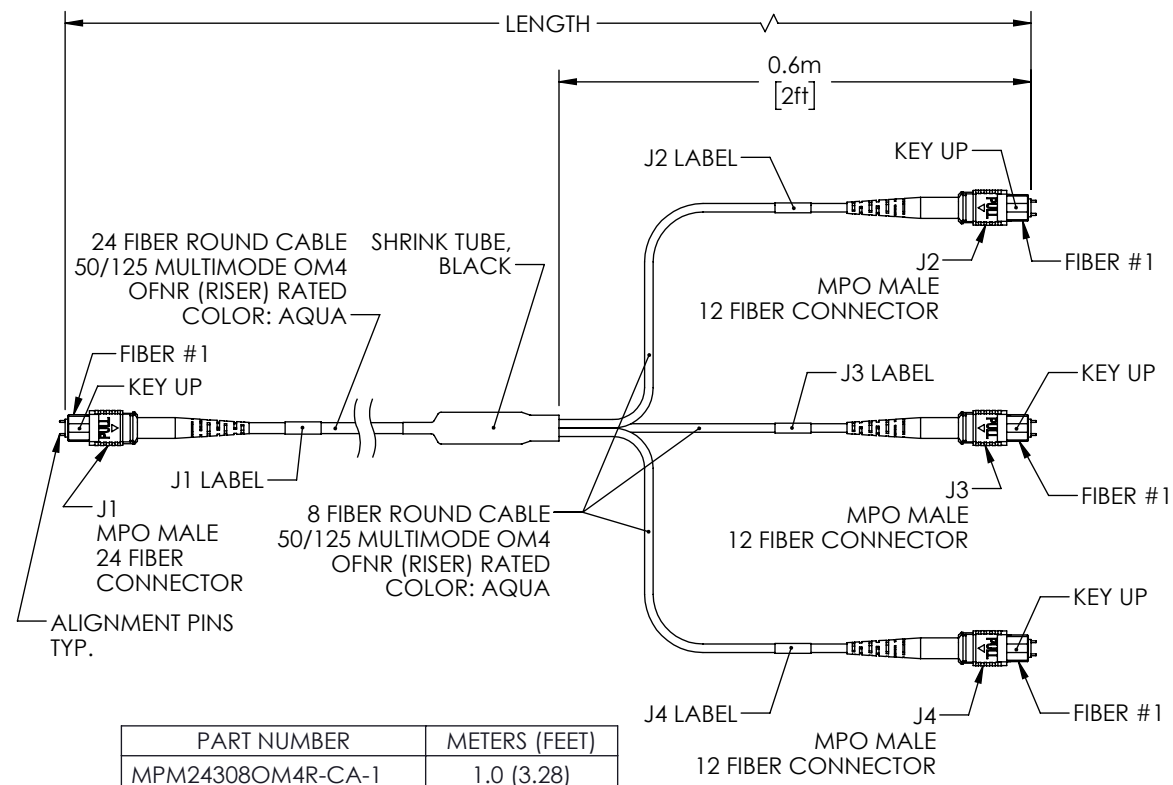


THE INFORMATION CONTAINED IN THIS DRAWING IS THE SOLE PROPERTY OF L-COM, INC. ANY REPRODUCTION IN PART OR WHOLE WITHOUT THE WRITTEN PERMISSION OF L-COM, INC. IS PROHIBITED.


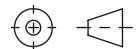
REVISIONS			
REV	DESCRIPTION	DATE	APPROVED
A	INITIAL RELEASE	03/26/2021	PHOSPODAR

WIRING MAP				
J1	COLOR	J2	J3	J4
1	BLUE	12		
2	ORANGE	11		
3	GREEN	10		
4	BROWN	9		
5	GRAY		12	
6	WHITE		11	
7	RED		10	
8	BLACK		9	
9	YELLOW			12
10	PURPLE			11
11	ROSE			10
12	AQUA			9
13	BLUE w/TRACER	1		
14	ORANGE w/TRACER	2		
15	GREEN w/TRACER	3		
16	BROWN w/TRACER	4		
17	GRAY w/TRACER		1	
18	WHITE w/TRACER		2	
19	RED w/TRACER		3	
20	BLACK w/TRACER		4	
21	YELLOW w/TRACER			1
22	PURPLE w/TRACER			2
23	ROSE w/TRACER			3
24	AQUA w/TRACER			4



PART NUMBER	METERS (FEET)
MPM24308OM4R-CA-1	1.0 (3.28)
MPM24308OM4R-CA-3	3.0 (9.84)
MPM24308OM4R-CA-5	5.0 (16.40)
MPM24308OM4R-CA-10	10.0 (32.81)

- NOTES:
1. MPO CONNECTOR MULTIMODE ASSEMBLY POLISH TYPE: UPC.
  2. ALL CONNECTORS ACCOMPANIED WITH A DUST CAP INSTALLED (NOT SHOWN).
  3. PACKAGING: INDIVIDUALLY PACKAGE EACH ASSEMBLY IN ACCORDANCE WITH L-COM SPECIFICATION PS-0031.

UNLESS OTHERWISE SPECIFIED, DIMENSIONS ARE IN INCHES [mm]  OVERALL CABLE LENGTH TOLERANCE: ≤12 [305] = +1 [25] / -0 >12 [305] ≤60 [1524] = +2 [51] / -0 >60 [1524] ≤120 [3048] = +4 [102] / -0 >120 [3048] ≤300 [7620] = +6 [152] / -0 >300 [7620] = +5% / -0  ALL OTHER DIMENSIONAL TOLERANCES: .X = ± .2 [5]   FRACTIONS ± 1/32 .XX = ± .02 [5]   ANGLES ± 1° .XXX = ± .005 [13]	APPROVALS DRAWN BY DZINN CHECKED BY DFRISIELLO APPROVED BY PHOSPODAR	DATE 03/26/2021 03/26/2021 03/26/2021	 50 High Street, West Mill, North Andover, MA 01845 USA. Phone: 1.800.341.5266 1.978.682.6936	
	THIRD-ANGLE PROJECTION 	CONFIGURATION DETAILS OF UNDIMENSIONED FEATURES MAY VARY  COLOR VARIATIONS MAY OCCUR		CATEGORY <b>FIBER OPTIC</b>
SIZE <b>A</b>		CAGE CODE <b>43321</b>	ITEM NO. <b>MPM24308OM4R-CA</b>	REV. <b>A</b>
SCALE: NONE		CAD FILE: MPM24308OM4R-CA.SLDDRW		SHEET 1 OF 1