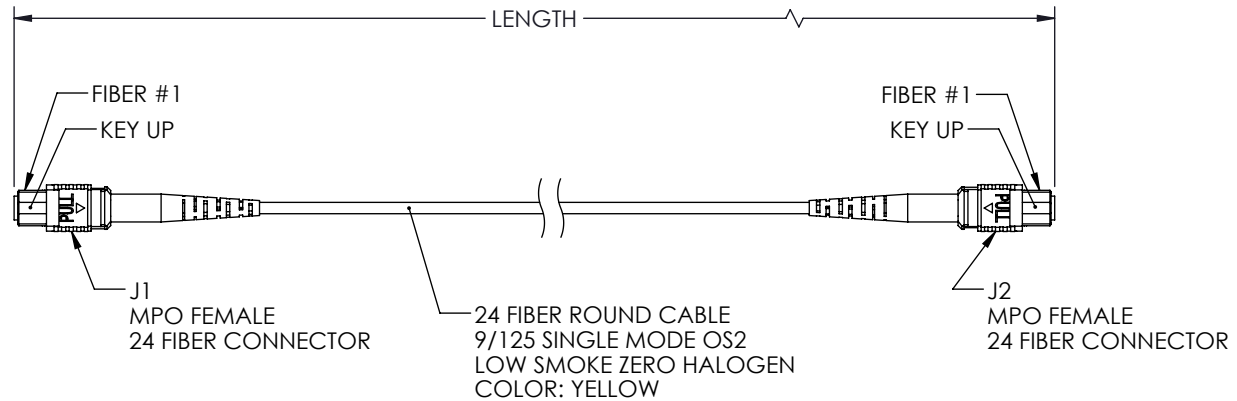


THE INFORMATION CONTAINED IN THIS DRAWING IS THE SOLE PROPERTY OF L-COM, INC. ANY REPRODUCTION IN PART OR WHOLE WITHOUT THE WRITTEN PERMISSION OF L-COM, INC. IS PROHIBITED.

REVISIONS			
REV	DESCRIPTION	DATE	APPROVED
A	INITIAL RELEASE	3/11/22	PHOSPODAR


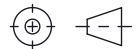
WIRING MAP TYPE B		
J1	COLOR	J2
1	BLUE	12
2	ORANGE	11
3	GREEN	10
4	BROWN	9
5	GRAY	8
6	WHITE	7
7	RED	6
8	BLACK	5
9	YELLOW	4
10	PURPLE	3
11	ROSE	2
12	AQUA	1
13	BLUE/BLACK	24
14	ORANGE/BLACK	23
15	GREEN/BLACK	22
16	BROWN/BLACK	21
17	GRAY/BLACK	20
18	WHITE/BLACK	19
19	RED/BLACK	18
20	BLACK/WHITE	17
21	YELLOW/BLACK	16
22	PURPLE/BLACK	15
23	ROSE/BLACK	14
24	AQUA/BLACK	13



PART NUMBER	METERS [FEET]
MPFF24SMBZ-1	1.0 [3.28]
MPFF24SMBZ-3	3.0 [9.84]
MPFF24SMBZ-5	5.0 [16.40]
MPFF24SMBZ-10	10.0 [32.81]

- NOTES:
- ALL CONNECTORS ACCOMPANIED WITH A DUST CAP INSTALLED (NOT SHOWN).
 - PACKAGING: INDIVIDUALLY PACKAGE EACH ASSEMBLY IN ACCORDANCE WITH L-COM SPECIFICATION PS-0031.

REGULATORY COMPLIANCE:
EU RoHS DIRECTIVE (MOST RECENT RELEASED VERSION)

UNLESS OTHERWISE SPECIFIED, DIMENSIONS ARE IN INCHES [mm] OVERALL CABLE LENGTH TOLERANCE: ≤12 [305] = +1 [25] / -0 >12 [305] ≤60 [1524] = +2 [51] / -0 >60 [1524] ≤120 [3048] = +4 [102] / -0 >120 [3048] ≤300 [7620] = +6 [152] / -0 >300 [7620] = +5% / -0 ALL OTHER DIMENSIONAL TOLERANCES: .X = ± .2 [5] FRACTIONS ± 1/32 .XX = ± .02 [5] ANGLES ± 1° .XXX = ± .005 [13]	APPROVALS	DATE	 50 High Street, West Mill, North Andover, MA 01845 USA. Phone: 1.800.341.5266 1.978.682.6936	
	DRAWN BY DMAY	2/24/22		CATEGORY FIBER OPTICS
	CHECKED BY JJOHNSTON	3/11/22		
	APPROVED BY PHOSPODAR	3/11/22		
THIRD-ANGLE PROJECTION	CONFIGURATION DETAILS OF UNDIMENSIONED FEATURES MAY VARY	PRODUCT DESCRIPTION MPO NO PINS TO MPO NO PINS, 24 FIBER, TYPE B 9/125 SMF OS2, LSZH JACKET	SCALE: NONE CAD FILE: MPFF24SMBZ.SLDDRW SHEET 1 OF 1	
	COLOR VARIATIONS MAY OCCUR	SIZE A CAGE CODE 43321 ITEM NO. MPFF24SMBZ REV. A		