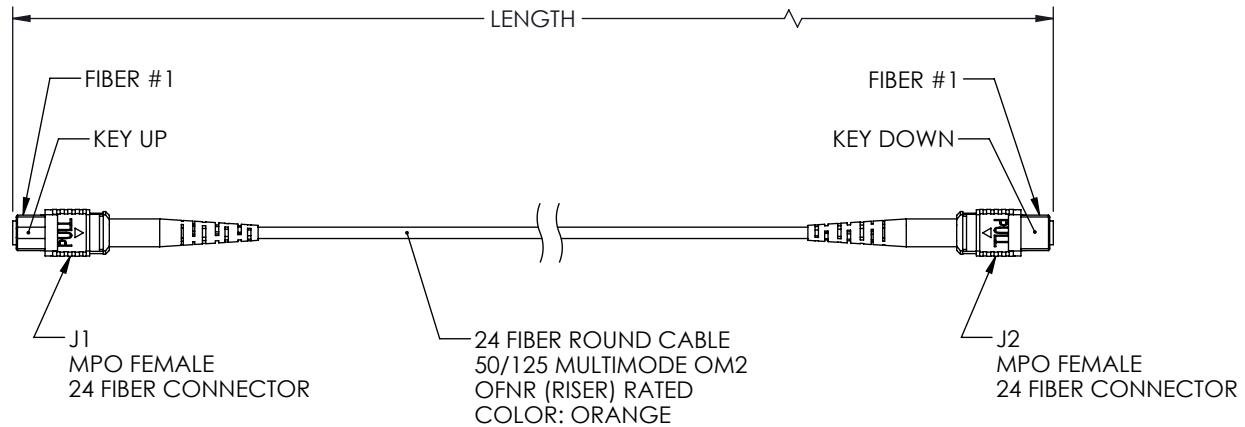


THE INFORMATION CONTAINED IN THIS DRAWING IS THE SOLE PROPERTY OF L-COM, INC. ANY REPRODUCTION IN PART OR WHOLE WITHOUT THE WRITTEN PERMISSION OF L-COM, INC. IS PROHIBITED.

| REVISIONS |                 |         |           |
|-----------|-----------------|---------|-----------|
| REV       | DESCRIPTION     | DATE    | APPROVED  |
| A         | INITIAL RELEASE | 3/11/22 | PHOSPODAR |
|           |                 |         |           |
|           |                 |         |           |


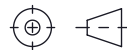
| WIRING MAP<br>TYPE A |               |    |
|----------------------|---------------|----|
| J1                   | COLOR         | J2 |
| 1                    | BLUE          | 13 |
| 2                    | ORANGE        | 14 |
| 3                    | GREEN         | 15 |
| 4                    | BROWN         | 16 |
| 5                    | GRAY          | 17 |
| 6                    | WHITE         | 18 |
| 7                    | RED           | 19 |
| 8                    | BLACK         | 20 |
| 9                    | YELLOW        | 21 |
| 10                   | PURPLE        | 22 |
| 11                   | ROSE          | 23 |
| 12                   | AQUA          | 24 |
| 13                   | BLUE/BLACK    | 1  |
| 14                   | ORANGE/BLACK  | 2  |
| 15                   | GREEN/BLACK   | 3  |
| 16                   | BROWN/BLACK   | 4  |
| 17                   | GRAY/BLACK    | 5  |
| 18                   | WHITE/BLACK   | 6  |
| 19                   | RED/BLACK     | 7  |
| 20                   | BLACK / WHITE | 8  |
| 21                   | YELLOW/BLACK  | 9  |
| 22                   | PURPLE/BLACK  | 10 |
| 23                   | ROSE/BLACK    | 11 |
| 24                   | AQUA/BLACK    | 12 |



| PART NUMBER    | METERS [FEET] |
|----------------|---------------|
| MPFF24OM2AR-1  | 1.0 [3.28]    |
| MPFF24OM2AR-3  | 3.0 [9.84]    |
| MPFF24OM2AR-5  | 5.0 [16.40]   |
| MPFF24OM2AR-10 | 10.0 [32.81]  |

- NOTES:
- ALL CONNECTORS ACCOMPANIED WITH A DUST CAP INSTALLED (NOT SHOWN).
  - PACKAGING: INDIVIDUALLY PACKAGE EACH ASSEMBLY IN ACCORDANCE WITH L-COM SPECIFICATION PS-0031.

**REGULATORY COMPLIANCE:**  
EU RoHS DIRECTIVE (MOST RECENT RELEASED VERSION)

|                                                                                                                                                                                                                                                                                                                                                                                                              |                                                                                        |                                          |                                                                                                                                                                                                                      |                                                                                                        |
|--------------------------------------------------------------------------------------------------------------------------------------------------------------------------------------------------------------------------------------------------------------------------------------------------------------------------------------------------------------------------------------------------------------|----------------------------------------------------------------------------------------|------------------------------------------|----------------------------------------------------------------------------------------------------------------------------------------------------------------------------------------------------------------------|--------------------------------------------------------------------------------------------------------|
| UNLESS OTHERWISE SPECIFIED, DIMENSIONS ARE IN INCHES [mm]<br>OVERALL CABLE LENGTH TOLERANCE:<br>≤12 [305] = +1 [25] / -0<br>>12 [305] ≤60 [1524] = +2 [51] / -0<br>>60 [1524] ≤120 [3048] = +4 [102] / -0<br>>120 [3048] ≤300 [7620] = +6 [152] / -0<br>>300 [7620] = +5% / -0<br>ALL OTHER DIMENSIONAL TOLERANCES:<br>.X = ±.2 [5]   FRACTIONS ± 1/32<br>.XX = ±.02 [.5]   ANGLES ±1°<br>.XXX = ±.005 [.13] | APPROVALS<br>DRAWN BY DMAY<br>CHECKED BY JJOHNSTON<br>APPROVED BY PHOSPODAR            | DATE<br>02/16/2022<br>3/11/22<br>3/11/22 | <br>an INFINITO® brand<br>50 High Street, West Mill,<br>North Andover, MA 01845 USA.<br>Phone: 1.800.341.5266<br>1.978.682.6936 |                                                                                                        |
|                                                                                                                                                                                                                                                                                                                                                                                                              | CONFIGURATION DETAILS OF UNDIMENSIONED FEATURES MAY VARY<br>COLOR VARIATIONS MAY OCCUR | CATEGORY<br><b>FIBER OPTICS</b>          |                                                                                                                                                                                                                      | PRODUCT DESCRIPTION<br><b>MPO NO PINS TO MPO NO PINS, 24 FIBER TYPE A, 50/125 OM2 MMF, OFNR JACKET</b> |
| THIRD-ANGLE PROJECTION<br>                                                                                                                                                                                                                                                                                              | SIZE<br><b>A</b>                                                                       | CAGE CODE<br><b>43321</b>                | ITEM NO.<br><b>MPFF24OM2AR</b>                                                                                                                                                                                       | REV.<br><b>A</b>                                                                                       |
| SCALE: NONE                                                                                                                                                                                                                                                                                                                                                                                                  |                                                                                        | CAD FILE: MPFF24OM2AR.SLDDRW             |                                                                                                                                                                                                                      | SHEET 1 OF 1                                                                                           |