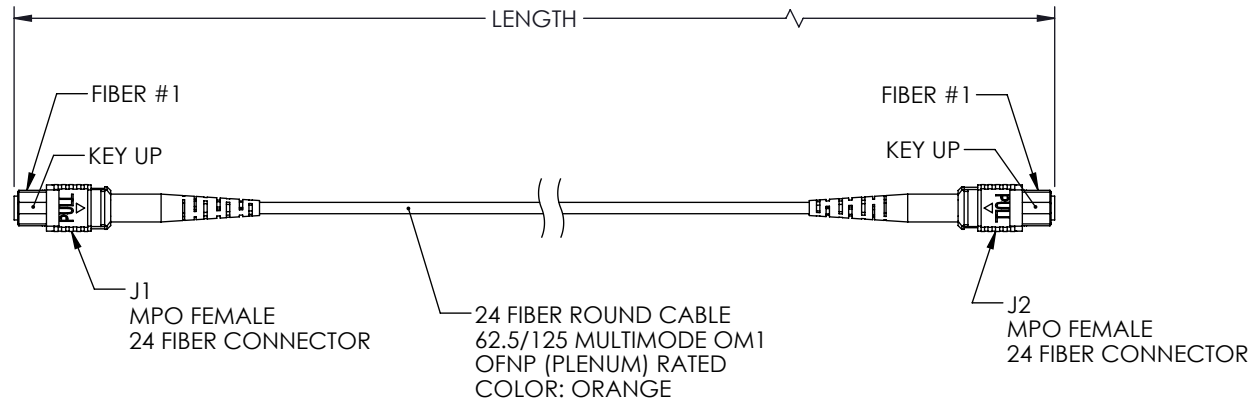


THE INFORMATION CONTAINED IN THIS DRAWING IS THE SOLE PROPERTY OF L-COM, INC. ANY REPRODUCTION IN PART OR WHOLE WITHOUT THE WRITTEN PERMISSION OF L-COM, INC. IS PROHIBITED.

REVISIONS			
REV	DESCRIPTION	DATE	APPROVED
A	INITIAL RELEASE	3/11/22	PHOSPODAR


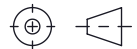
WIRING MAP TYPE B		
J1	COLOR	J2
1	BLUE	12
2	ORANGE	11
3	GREEN	10
4	BROWN	9
5	GRAY	8
6	WHITE	7
7	RED	6
8	BLACK	5
9	YELLOW	4
10	PURPLE	3
11	ROSE	2
12	AQUA	1
13	BLUE/BLACK	24
14	ORANGE/BLACK	23
15	GREEN/BLACK	22
16	BROWN/BLACK	21
17	GRAY/BLACK	20
18	WHITE/BLACK	19
19	RED/BLACK	18
20	BLACK/WHITE	17
21	YELLOW/BLACK	16
22	PURPLE/BLACK	15
23	ROSE/BLACK	14
24	AQUA/BLACK	13



PART NUMBER	METERS [FEET]
MPFF24OM1BP-1	1.0 [3.28]
MPFF24OM1BP-3	3.0 [9.84]
MPFF24OM1BP-5	5.0 [16.40]
MPFF24OM1BP-10	10.0 [32.81]

- NOTES:
- ALL CONNECTORS ACCOMPANIED WITH A DUST CAP INSTALLED (NOT SHOWN).
  - PACKAGING: INDIVIDUALLY PACKAGE EACH ASSEMBLY IN ACCORDANCE WITH L-COM SPECIFICATION PS-0031.

**REGULATORY COMPLIANCE:**  
EU RoHS DIRECTIVE (MOST RECENT RELEASED VERSION)

UNLESS OTHERWISE SPECIFIED, DIMENSIONS ARE IN INCHES [mm] OVERALL CABLE LENGTH TOLERANCE: ≤12 [305] = +1 [25] / -0 >12 [305] ≤60 [1524] = +2 [51] / -0 >60 [1524] ≤120 [3048] = +4 [102] / -0 >120 [3048] ≤300 [7620] = +6 [152] / -0 >300 [7620] = +5% / -0 ALL OTHER DIMENSIONAL TOLERANCES: .X = ± .2 [5]   FRACTIONS ± 1/32 .XX = ± .02 [.5]   ANGLES ± 1° .XXX = ± .005 [.13]	APPROVALS	DATE	 50 High Street, West Mill, North Andover, MA 01845 USA. Phone: 1.800.341.5266 1.978.682.6936				
	DRAWN BY DMAY	2/16/22		CATEGORY <b>FIBER OPTICS</b>			
THIRD-ANGLE PROJECTION 	CHECKED BY JJOHNSTON	3/11/22	PRODUCT DESCRIPTION MPO NO PINS TO MPO NO PINS, 24 FIBER, TYPE B 62.5/125 OM1 MMF, OFNP JACKET				
	APPROVED BY PHOSPODAR	3/11/22	<table border="1"> <tr> <td>SIZE <b>A</b></td> <td>CAGE CODE <b>43321</b></td> <td>ITEM NO. MPFF24OM1BP</td> <td>REV. <b>A</b></td> </tr> </table>	SIZE <b>A</b>	CAGE CODE <b>43321</b>	ITEM NO. MPFF24OM1BP	REV. <b>A</b>
SIZE <b>A</b>	CAGE CODE <b>43321</b>	ITEM NO. MPFF24OM1BP	REV. <b>A</b>				
	CONFIGURATION DETAILS OF UNDIMENSIONED FEATURES MAY VARY	COLOR VARIATIONS MAY OCCUR	SCALE: NONE   CAD FILE: MPFF24OM1BP.SLDDRW   SHEET 1 OF 1				