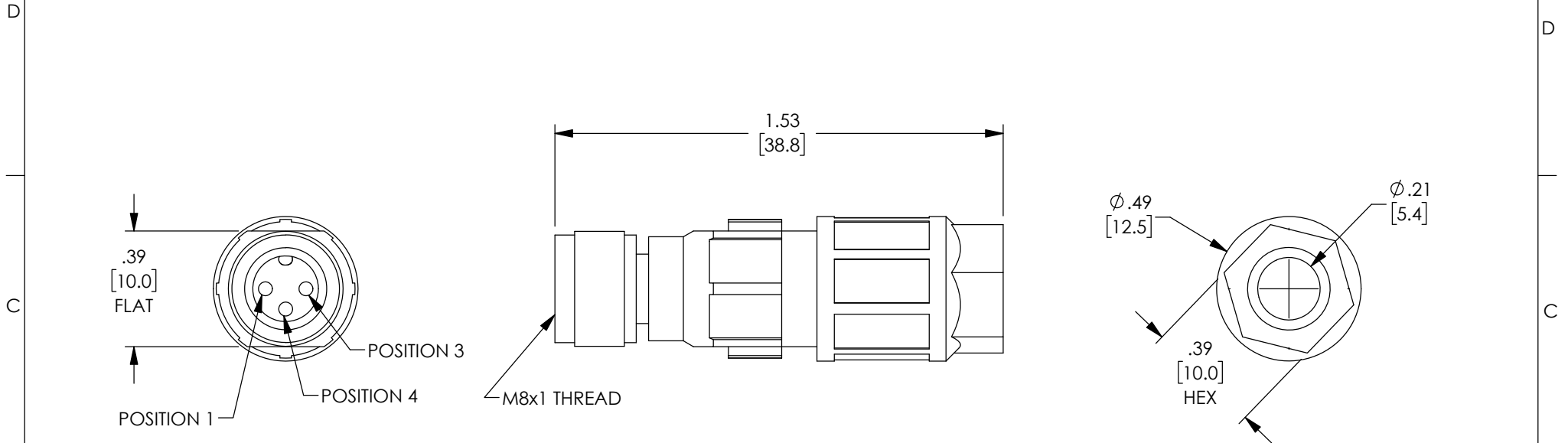


THE INFORMATION CONTAINED IN THIS DRAWING IS THE SOLE PROPERTY OF L-COM, INC. ANY REPRODUCTION IN PART OR WHOLE WITHOUT THE WRITTEN PERMISSION OF L-COM, INC. IS PROHIBITED.

REVISIONS			
REV	DESCRIPTION	DATE	APPROVED
A	INITIAL RELEASE	12/17/2019	GUTTADAURO



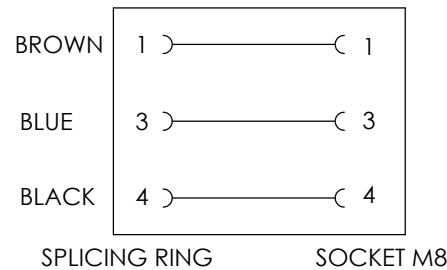
**SPECIFICATIONS:**


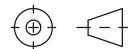
STANDARDS: DIN EN 61076-2-104 (M8)  
 CONNECTIONS: IDC TERMINAL  
 CONTACT CARRIER MATERIAL: TPU  
 CONTACT MATERIAL: COPPER ALLOY, GOLD PLATED  
 GASKET MATERIAL: NBR  
 TEMPERATURE RANGE: -25° C TO +80° C  
 OPERATING VOLTAGE: 48V AC/60 V DC  
 NUMBER OF POLES: 3  
 CONTACT RESISTANCE: ≤ 10mΩ  
 ISOLATION RESISTANCE: ≥ 100M Ω  
 CABLE SEALING RANGE: 2.5 - 5.0 mm  
 OUTER WIRE: 1.1 - 1.55 mm  
 PROTECTION: IP65 AND IP67, WHEN MATED  
 LOCKING MATERIAL: ZINC DIE CAST, MATTE NICKEL PLATED  
 MATING CYCLES: ≥ 100

**NOTES:**

- ALL DIMENSIONS ARE FOR REFERENCE ONLY.
- COMPONENT SHALL BE INDIVIDUALLY PACKAGED IN ACCORDANCE WITH L-COM SPECIFICATION PS-0031.

**WIRING DIAGRAM**



UNLESS OTHERWISE SPECIFIED, DIMENSIONS ARE IN INCHES [mm] OVERALL CABLE LENGTH TOLERANCE: ≤12 [305] = +1 [25] / -0 >12 [305] ≤60 [1524] = +2 [51] / -0 >60 [1524] ≤120 [3048] = +4 [102] / -0 >120 [3048] ≤300 [7620] = +6 [152] / -0 >300 [7620] = +5% / -0 ALL OTHER DIMENSIONAL TOLERANCES: .X = ± .2 [5]   FRACTIONS ± 1/32 .XX = ± .02 [.5]   ANGLES ± 1° .XXX = ± .005 [1.3]	APPROVALS	DATE	 50 High Street, West Mill, North Andover, MA 01845 USA. Phone: 1.800.341.5266 1.978.682.6936
	DRAWN BY DFRISIELLO	12/17/2019	
THIRD-ANGLE PROJECTION 	CHECKED BY GUTTADAURO	12/17/2019	CATEGORY <b>TELECOM/MODULAR</b>
	APPROVED BY GUTTADAURO	12/17/2019	
CONFIGURATION DETAILS OF UNDIMENSIONED FEATURES MAY VARY	PRODUCT DESCRIPTION <b>M8 3P-F FIELD TERM 24-20AWG</b>		SCALE: NONE   CAD FILE: M8FTQ3F.SLDDRW   SHEET 1 OF 1
COLOR VARIATIONS MAY OCCUR	SIZE <b>A</b>	CAGE CODE <b>43321</b>	