

6

5

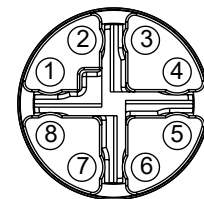
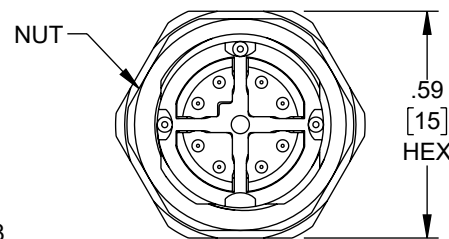
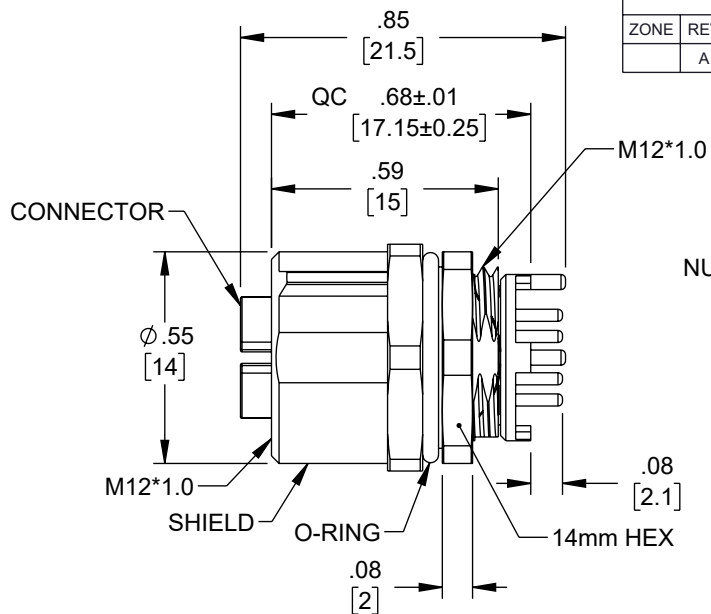
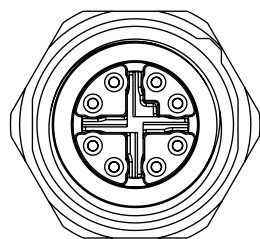
4

3

REVISION

1

ZONE	REV	DESCRIPTION	DATE	CHANGED BY	APPROVED
	A	INITIAL RELEASE	07/14/2025	DMAY	DGUTTADAURO



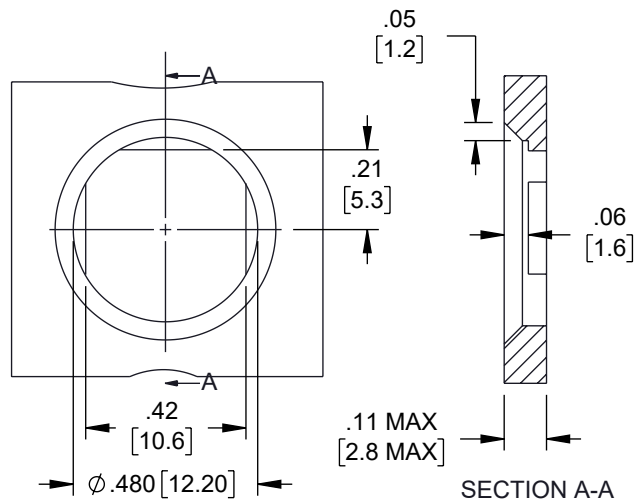
8P
PIN ASSIGNMENTS
FRONT VIEW

NOTES:

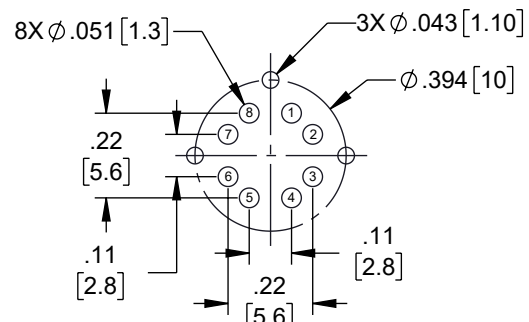
- [QC] IMPORTANT DIMENSION.
- WATERPROOF RATE: IP67, MATED
- CONNECTOR
 - HOUSING: THERMOPLASTIC, BLACK
 - PIN: COPPER ALLOY, GOLD PLATED
 - SPRING: METAL
- SHIELD: METAL
- NUT: METAL
- O-RING: RUBBER, GRAY
- GASKET: RUBBER, BLACK
- FOR PANEL THICKNESS MAX: 2.8mm
- RECOMMENDED PCB THICKNESS: 1.6mm
- ASSEMBLE GASKET AND NUT ON CONNECTOR
- TEMPERATURE RANGE: -40°C TO +105°C
- OPERATING VOLTAGE: 50V AC / 60V DC
- RATED CURRENT @40°C: 0.5A
- COMPONENT SHALL BE INDIVIDUALLY PACKAGED

REGULATORY COMPLIANCE:

EU RoHS DIRECTIVE (MOST RECENT RELEASED VERSION).



RECOMMENDED PANEL CUT OUT



8P
PCB LAYOUT

UNLESS OTHERWISE SPECIFIED
LEADING DIMENSIONS ARE INCHES
DIMENSIONS IN [] ARE MILLIMETERS

TOLERANCES:
X = ±.2 [5] FRACTIONS
XX = ±.02 [0.5] ± 1/32
.XXX = ±.005 [0.13] ANGLES ± 1°

CABLE LENGTH TOLERANCES:
≤12 [305] = +1 [25] / -0
>12 [305] ≤ 60 [1524] = +2 [51] / -0
>60 [1524] ≤ 120 [3048] = +4 [102] / -0
>120 [3048] ≤ 300 [7620] = +6 [152] / -0
>300 [7620] = +5% / -0

ALL DIMENSIONS ARE FOR REFERENCE ONLY
AND SUBJECT TO CHANGE WITHOUT NOTICE.
UN-DIMENSIONED NON-CRITICAL FEATURES
MAY VARY IN SIZE AND LOCATION
COLORS MAY VARY

L-com
an INFINIT® brand

Website: www.L-com.com
Phone: 1.800.341.5266 | 1.978.682.6936



INTERPRET ALL DIMENSIONS AND
TOLERANCES PER ASME Y14.5

SCALE SHEET
NONE 1 OF 1

DESCRIPTION
M12 SHIELDED PANEL MOUNT CONNECTOR, IP67 8 POSITION
X-CODE FEMALE RECEPTACLE, PCB SOLDER, M12 REAR
MOUNTING STYLE

SIZE	CAGE CODE	DRAWN BY	ITEM NO.	REV
A	43321	DMAY	M12PCB-8XF-R	A

6

5

4

3

2

1