

6

5

4

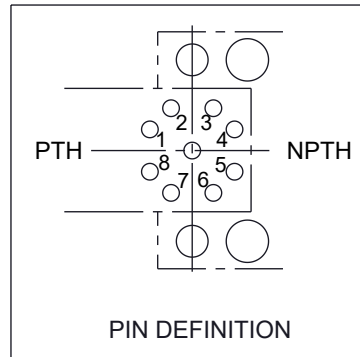
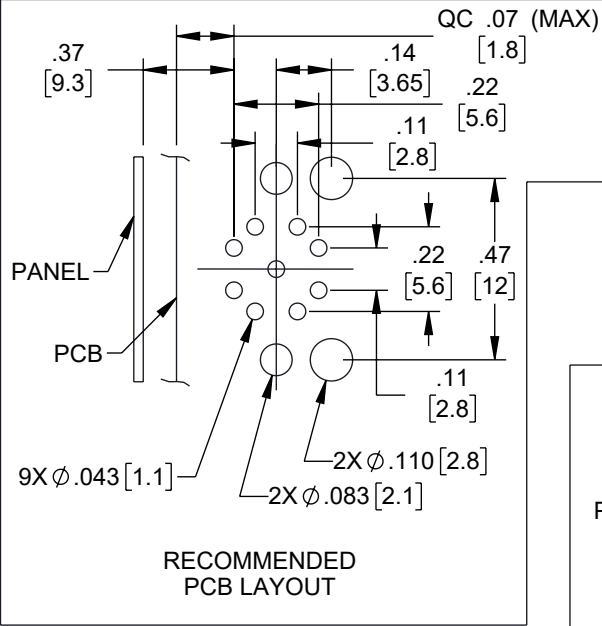
3

2

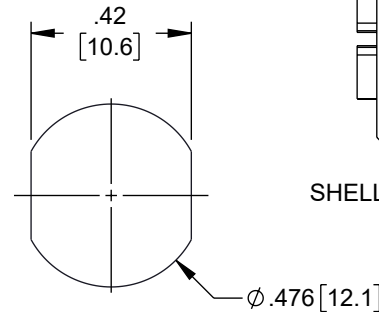
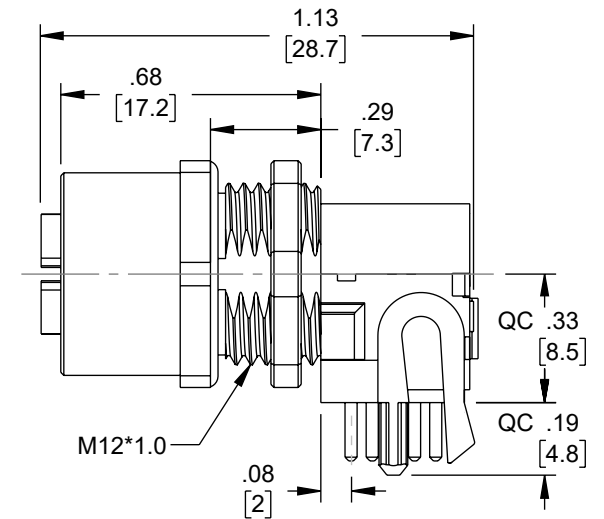
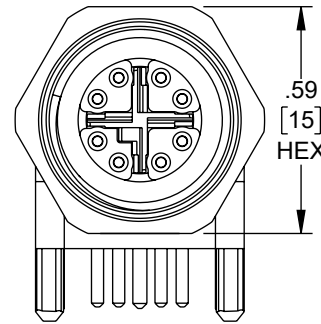
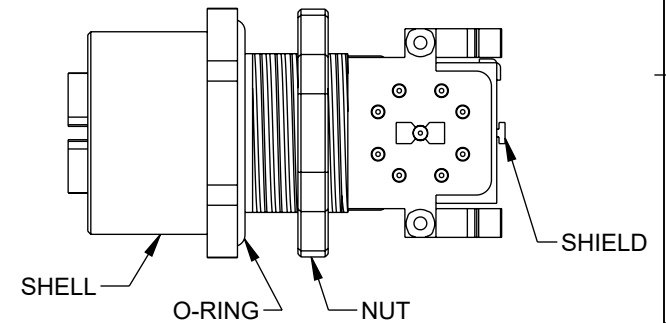
1

REVISION

ZONE	REV	DESCRIPTION	DATE	CHANGED BY	APPROVED
	A	INITIAL RELEASE	07/21/2025	DMAY	DGUTTADAURO

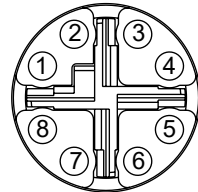


PIN DEFINITION

RECOMMENDED
PANEL CUT-OUT

NOTES:

1. **QC** IMPORTANT DIMENSION.
2. WATERPROOF RATE: IP67, MATED
3. CONNECTOR: THERMOPLASTIC, BLACK
4. PIN: COPPER ALLOY, GOLD PLATED
5. SHIELD: METAL
6. NUT: METAL
7. GASKET: RUBBER, BLACK
8. O-RING: RUBBER, GRAY
9. FOR PANEL THICKNESS: 1.0 ~ 3.0mm
10. FOR PCB THICKNESS: 1.6 ~ 2.4mm
11. ASSEMBLE NUT ON CONNECTOR
12. TEMPERATURE RANGE: -40 °C TO +105 °C
13. OPERATING VOLTAGE: 50V AC / 60V DC
14. RATED CURRENT @40°C: 0.5A
15. COMPONENT SHALL BE INDIVIDUALLY PACKAGED

PIN ASSIGNMENT
FRONT VIEW

REGULATORY COMPLIANCE:

EU RoHS DIRECTIVE (MOST RECENT RELEASED VERSION).

THE INFORMATION CONTAINED IN THIS DRAWING IS THE SOLE PROPERTY OF INFINITE ELECTRONICS, INC. ANY REPRODUCTION IN PART OR WHOLE WITHOUT THE WRITTEN PERMISSION OF INFINITE ELECTRONICS, INC. IS PROHIBITED. THESE COMMODITIES, TECHNOLOGY OR SOFTWARE WERE EXPORTED FROM THE UNITED STATES IN ACCORDANCE WITH THE EXPORT ADMINISTRATION REGULATIONS. DIVERSION CONTRARY TO U.S. LAW PROHIBITED.

UNLESS OTHERWISE SPECIFIED
LEADING DIMENSIONS ARE INCHES
DIMENSIONS IN [] ARE MILLIMETERS

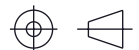
TOLERANCES:
X = ±.2 [5] FRACTIONS
XX = ±.02 [0.5] ± 1/32
.XXX = ±.005 [0.13] ANGLES ± 1°

CABLE LENGTH TOLERANCES:
≤12 [305] = +1 [25] / -0
>12 [305] ≤ 60 [1524] = +2 [51] / -0
>60 [1524] ≤ 120 [3048] = +4 [102] / -0
>120 [3048] ≤ 300 [7620] = +8 [152] / -0
>300 [7620] = +5% / -0

ALL DIMENSIONS ARE FOR REFERENCE ONLY
AND SUBJECT TO CHANGE WITHOUT NOTICE.
UN-DIMENSIONED NON-CRITICAL FEATURES
MAY VARY IN SIZE AND LOCATION
COLORS MAY VARY

L-com
an INFINIT® brand

Website: www.L-com.com
Phone: 1.800.341.5266 | 1.978.682.6936



INTERPRET ALL DIMENSIONS AND
TOLERANCES PER ASME Y14.5

SCALE	SHEET
NONE	1 OF 1

DESCRIPTION
M12 SHIELDED PANEL MOUNT CONNECTOR, IP67 8 POSITION
X-CODE FEMALE RECEPTACLE, RIGHT ANGLE PCB SOLDER,
M12 REAR MOUNTING STYLE

SIZE	CAGE CODE	DRAWN BY	ITEM NO.	REV
A	43321	DMAY	M1290PCB-8XF-R	A

6

5

4

3

2

1