

6

5

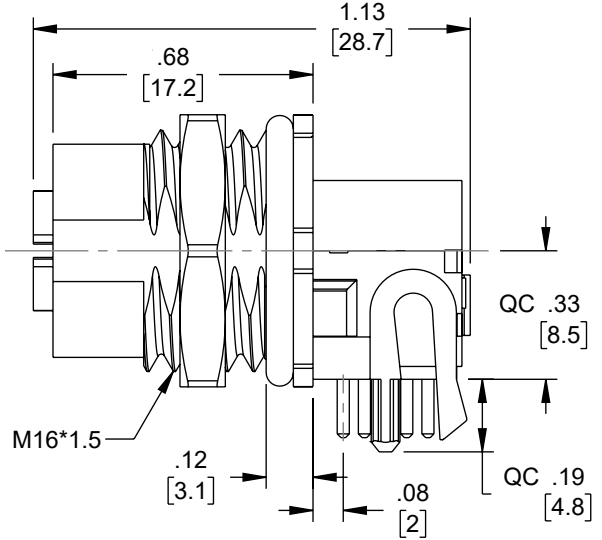
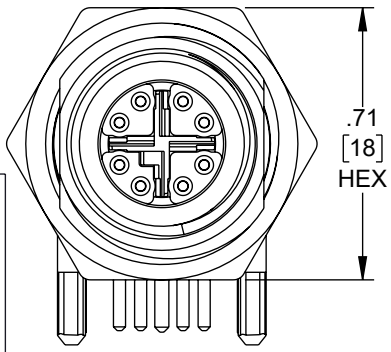
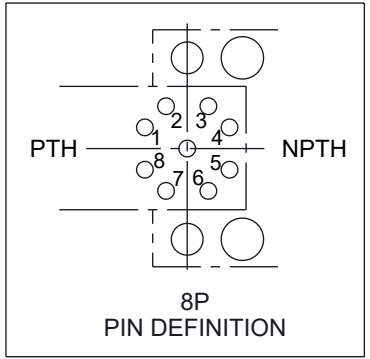
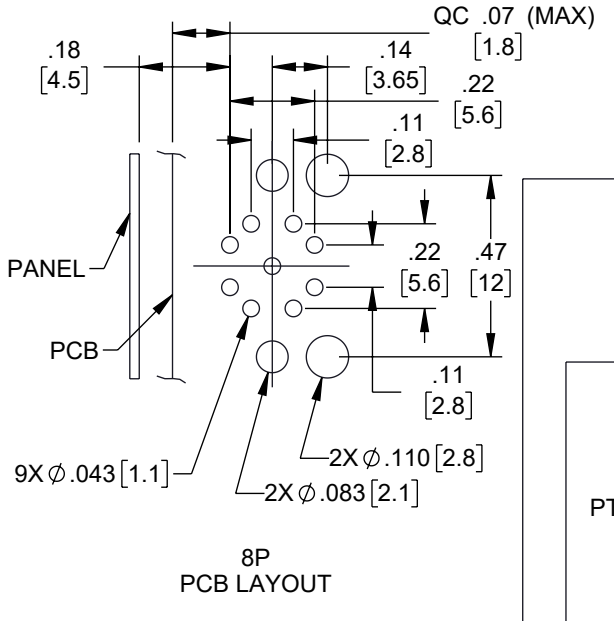
4

3

2

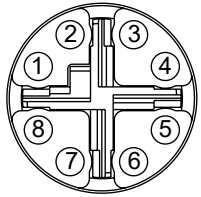
1

REVISION					
ZONE	REV	DESCRIPTION	DATE	CHANGED BY	APPROVED
	A	INITIAL RELEASE	07/16/2025	DMAY	DGUTTADAURO

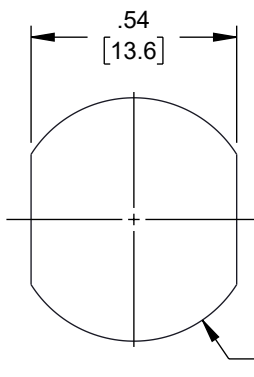


NOTES:

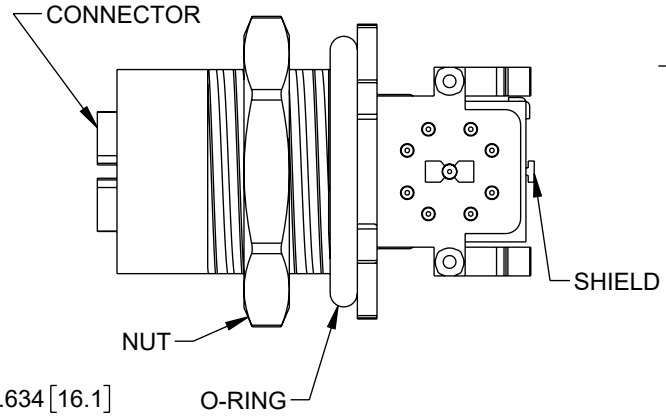
1. [QC] IMPORTANT DIMENSION.
2. WATERPROOF RATE: IP67, MATED
3. CONNECTOR: THERMOPLASTIC, BLACK
4. PIN: COPPER ALLOY, GOLD PLATED
5. SHIELD: METAL
6. NUT: METAL
7. GASKET: SILICON, BLACK
8. O-RING: SILICON, BLACK
9. FOR PANEL THICKNESS: 0.6 ~ 5.0mm
10. FOR PCB THICKNESS: 1.6 ~ 2.4mm
11. ASSEMBLE NUT ON CONNECTOR
12. TEMPERATURE RANGE: -40 °C TO +105 °C
13. OPERATING VOLTAGE: 50V AC / 60V DC
14. RATED CURRENT @40°C: 0.5A
15. COMPONENT SHALL BE INDIVIDUALLY PACKAGED



8P PIN ASSIGNMENT FRONT VIEW



RECOMMENDED PANEL CUT-OUT



REGULATORY COMPLIANCE: EU RoHS DIRECTIVE (MOST RECENT RELEASED VERSION).

THE INFORMATION CONTAINED IN THIS DRAWING IS THE SOLE PROPERTY OF INFINITE ELECTRONICS, INC. ANY REPRODUCTION IN PART OR WHOLE WITHOUT THE WRITTEN PERMISSION OF INFINITE ELECTRONICS, INC. IS PROHIBITED.

UNLESS OTHERWISE SPECIFIED LEADING DIMENSIONS ARE INCHES DIMENSIONS IN [] ARE MILLIMETERS

TOLERANCES:

X = ±.2 [5]	FRACTIONS ± 1/32
.XX = ±.02 [0.5]	ANGLES ± 1°
.XXX = ±.005 [0.13]	

CABLE LENGTH TOLERANCES:

≤12 [305]	= +1 [25] / -0
>12 [305] ≤ 60 [1524]	= +2 [51] / -0
>60 [1524] ≤ 120 [3048]	= +4 [102] / -0
>120 [3048] ≤ 300 [7620]	= +6 [152] / -0
>300 [7620]	= +5% / -0

ALL DIMENSIONS ARE FOR REFERENCE ONLY AND SUBJECT TO CHANGE WITHOUT NOTICE. UN-DIMENSIONED (NON-CRITICAL FEATURES) MAY VARY IN SIZE AND LOCATION. COLORS MAY VARY.



Website: www.L-com.com Phone: 1.800.341.5266 | 1.978.682.6936

INTERPRET ALL DIMENSIONS AND TOLERANCES PER ASME Y14.5

SCALE	SHEET
NONE	1 OF 1

DESCRIPTION: M12 SHIELDED PANEL MOUNT CONNECTOR, IP67 8 POSITION X-CODE FEMALE RECEPTACLE, RIGHT ANGLE PCB SOLDER, M16 FRONT MOUNTING STYLE

SIZE	CAGE CODE	DRAWN BY	ITEM NO.	REV
A	43321	DMAY	M1290PCB-8XF-M16F	A

6

5

4

3

2

1