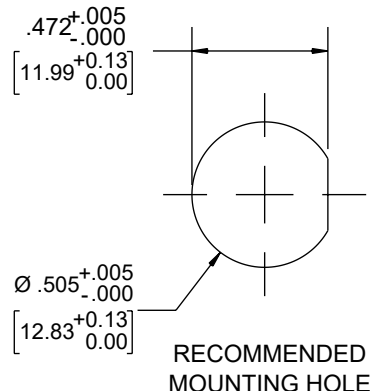
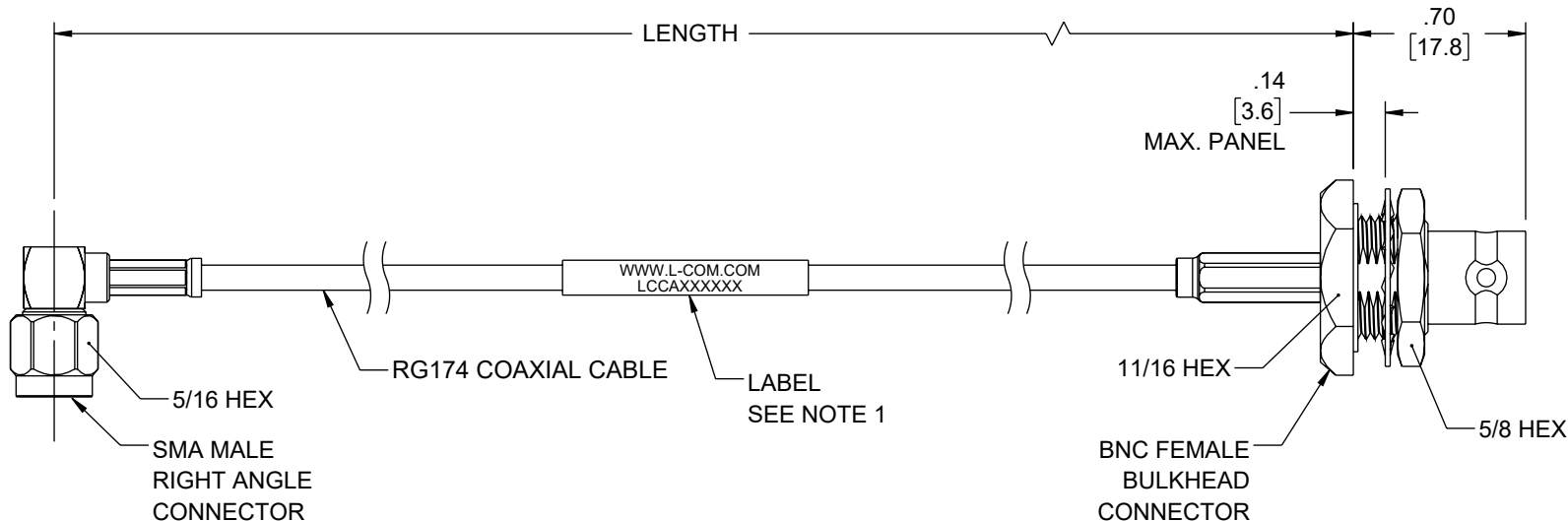


THE INFORMATION CONTAINED IN THIS DRAWING IS THE SOLE PROPERTY OF L-COM, INC. ANY REPRODUCTION IN PART OR WHOLE WITHOUT THE WRITTEN PERMISSION OF L-COM, INC. IS PROHIBITED.


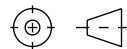
| REVISION |      |                 |            |            |          |
|----------|------|-----------------|------------|------------|----------|
| ZONE     | REV. | DESCRIPTION     | DATE       | CHANGED BY | APPROVED |
|          | A    | INITIAL RELEASE | 05/10/2023 | HBAKKE     | AGANWANI |



**NOTES:**

1. CABLE ASSEMBLY LENGTH LABEL PLACEMENT: 36 INCHES OR LESS, ONE LABEL APPROXIMATELY CENTERED. LONGER THAN 36 INCHES, TWO LABELS APPROXIMATELY 6 INCHES FROM EACH CONNECTOR.
2. CABLE ASSEMBLIES SHALL BE TESTED FOR CONTINUITY.
3. CABLE ASSEMBLY SHALL RECEIVE INSERTION LOSS TEST PER L-COM SPECIFICATIONS.
4. CABLE ASSEMBLY SHALL BE INDIVIDUALLY PACKAGED IN ACCORDANCE WITH L-COM SPECIFICATION PS-0031.

**REGULATORY COMPLIANCE:**  
EU RoHS DIRECTIVE (MOST RECENT RELEASED VERSION)

|   |  |                            |   |
|---|--|----------------------------|---|
| UNLESS OTHERWISE SPECIFIED, DIMENSIONS ARE IN INCHES [mm]<br><br>OVERALL CABLE LENGTH TOLERANCE:<br>≤12 [305] = +1 [25] / -0<br>>12 [305] ≤60 [1524] = +2 [51] / -0<br>>60 [1524] ≤120 [3048] = +4 [102] / -0<br>>120 [3048] ≤300 [7620] = +6 [152] / -0<br>>300 [7620] = +5% / -0<br><br>ALL OTHER DIMENSIONAL TOLERANCES:<br>.X = ± .2 [5]   FRACTIONS ± 1/32<br>.XX = ± .02 [5]   ANGLES ± 1°<br>.XXX = ± .005 [1.3] | APPROVALS  | DATE                       |  50 High Street, West Mill,<br>North Andover, MA 01845 USA.<br>Phone: 1.800.341.5266<br>1.978.682.6936 |
|   | DRAWN BY<br>HBAKKE                                       | 5/10/2023                  |   |
|   | CHECKED BY<br>DMAY                                       | 05/10/2023                 |   |
|   | APPROVED BY<br>KLEITLEIN                                 | 05/10/2023                 |   |
|   | CONFIGURATION DETAILS OF UNDIMENSIONED FEATURES MAY VARY |                            | CATEGORY<br><b>COAXIAL</b>  |
|   | COLOR VARIATIONS MAY OCCUR                               |                            | PRODUCT DESCRIPTION<br><b>SMA Male Right Angle to BNC Female Bulkhead Cable Using RG174 Coax</b>  |
| THIRD-ANGLE PROJECTION<br>   | SIZE<br><b>A</b>   | CAGE CODE<br><b>43321</b>  | ITEM NO.<br><b>LCCA31072</b>  |
|   | SCALE: NONE  | CAD FILE: LCCA31072.SLDDRW | SHEET 1 OF 1  |