

6

5

4

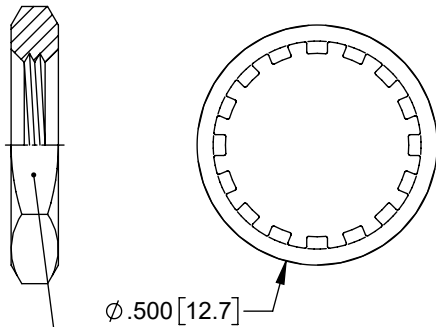
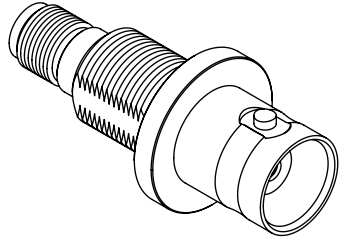
3

2

1

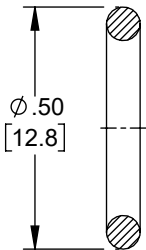
REVISION

ZONE	REV	DESCRIPTION	DATE	CHANGED BY	APPROVED
	B	ECO-15683	04/23/2026	TDFRENE	DWANG

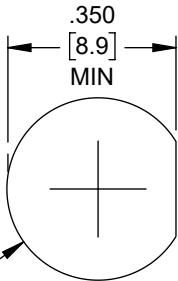


Ø.500 [12.7]

1/2 HEX

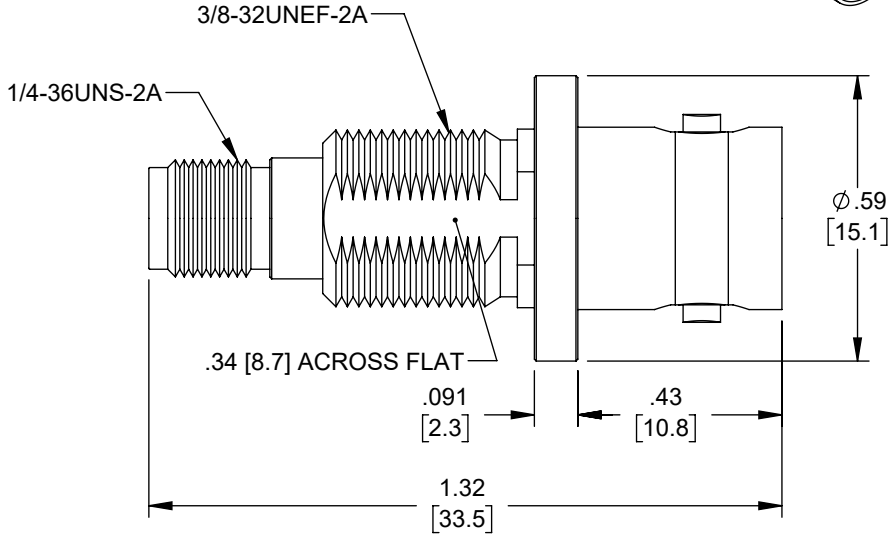


Ø.50 [12.8]



Ø.380 [9.7] MIN

RECOMMENDED MOUNTING HOLE



3/8-32UNEF-2A

1/4-36UNS-2A

.34 [8.7] ACROSS FLAT

.091 [2.3]

.43 [10.8]

1.32 [33.5]

Ø.59 [15.1]

NOTES:

- 1. MAX PANEL DIM: .303 [7.7]

THE INFORMATION CONTAINED IN THIS DRAWING IS THE SOLE PROPERTY OF INFINITE ELECTRONICS, INC. ANY REPRODUCTION IN PART OR WHOLE WITHOUT THE WRITTEN PERMISSION OF INFINITE ELECTRONICS, INC. IS PROHIBITED. THESE COMMODITIES, TECHNOLOGY OR SOFTWARE WERE EXPORTED FROM THE UNITED STATES IN ACCORDANCE WITH THE EXPORT ADMINISTRATION REGULATIONS. DIVERSION CONTRARY TO U.S. LAW PROHIBITED.

UNLESS OTHERWISE SPECIFIED LEADING DIMENSIONS ARE INCHES DIMENSIONS IN [] ARE MILLIMETERS

TOLERANCES:
 X = ±.2 [5] FRACTIONS ± 1/32
 .XX = ±.02 [0.5] ANGLES ± 1°
 .XXX = ±.005 [0.13]

CABLE LENGTH TOLERANCES:
 ≤12 [305] = +1 [25] / -0
 >12 [305] ≤ 60 [1524] = +2 [51] / -0
 >60 [1524] ≤ 120 [3048] = +4 [102] / -0
 >120 [3048] ≤ 300 [7620] = +6 [152] / -0
 >300 [7620] = +5% / -0
 CABLE LENGTH TOL IAW IPC A-620

ALL DIMENSIONS ARE FOR REFERENCE ONLY AND SUBJECT TO CHANGE WITHOUT NOTICE UN-DIMENSIONED/NON-CRITICAL FEATURES MAY VARY IN SIZE AND LOCATION COLORS MAY VARY



Website: www.L-com.com
 Phone: 1.800.341.5266 | 1.978.682.6936

INTERPRET ALL DIMENSIONS AND TOLERANCES PER ASME Y14.5

SCALE NONE SHEET 1 OF 1

DESCRIPTION
 COAXIAL ADAPTER, SMA FEMALE / BNC FEMALE BULKHEAD

SIZE A	CAGE CODE 43321	DRAWN BY BPUCHASKI	ITEM NO. LCAD30027	REV B
-----------	--------------------	-----------------------	-----------------------	----------

6

5

4

3

2

1