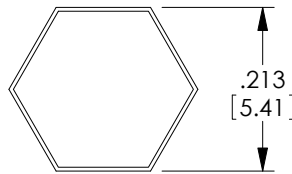
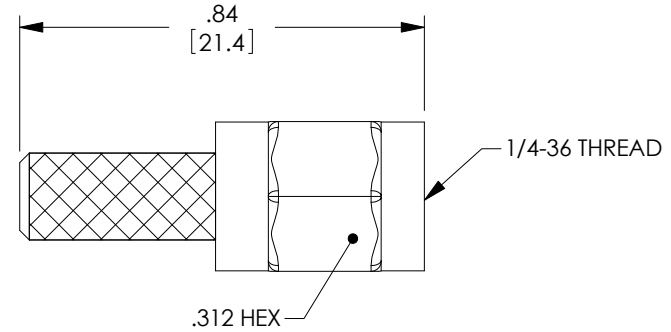
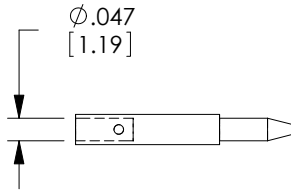
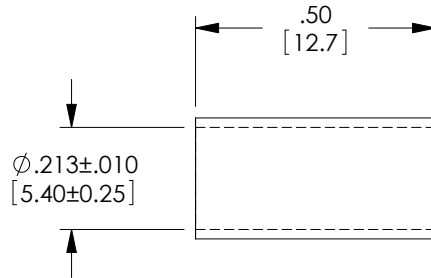
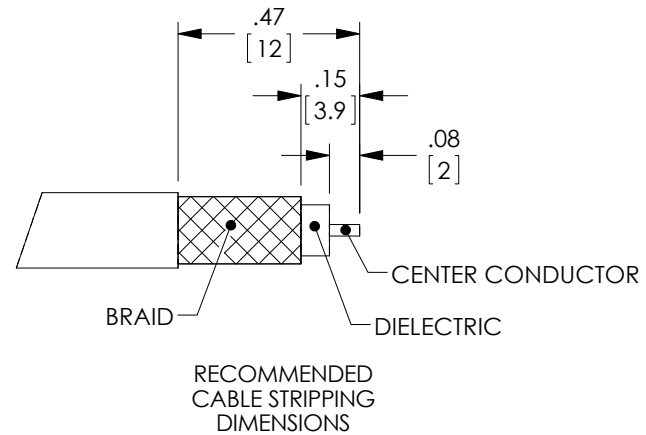


THE INFORMATION CONTAINED IN THIS DRAWING IS THE SOLE PROPERTY OF L-COM, INC. ANY REPRODUCTION IN PART OR WHOLE WITHOUT THE WRITTEN PERMISSION OF L-COM, INC. IS PROHIBITED.

REVISIONS			
REV	DESCRIPTION	DATE	APPROVED
A	DRAWING REPLACES HPC781-OD1	10/7/14	D.FRISIELLO



RECOMMENDED FERRULE CRIMP SIZE  
\*CENTER PIN: SOLDER



**NOTES:**

**MATERIALS:**  
 BODY: BRASS  
 FERRULE: BRASS OR COPPER ALLOY  
 PIN: BRASS  
 INSULATOR: PTFE

**FINISH:**  
 BODY: GOLD PLATE, 3μ INCHES, MIN.  
 FERRULE: GOLD PLATE, 3μ INCHES, MIN.  
 PIN: GOLD PLATE, 30μ INCHES, MIN.

ALL DIMENSIONS ARE FOR REFERENCE ONLY.

APPLICATION: BELDEN 7807 CABLE ASSEMBLIES  
 IMPEDANCE: 50 OHM

CONNECTOR SHALL BE INDIVIDUALLY PACKAGED IN ACCORDANCE WITH L-COM SPECIFICATION PS-0031.

**REGULATORY COMPLIANCE:**  
 CE2011/65/EU (RoHS DIRECTIVE)

UNLESS OTHERWISE SPECIFIED, DIMENSIONS ARE IN INCHES [mm] OVERALL CABLE LENGTH TOLERANCE: ≤12 [305] = +1 [25] / -0 >12 [305] ≤60 [1524] = +2 [51] / -0 >60 [1524] ≤120 [3048] = +4 [102] / -0 >120 [3048] ≤300 [7620] = +6 [152] / -0 >300 [7620] = +5% / -0%	APPROVALS	DATE		45 BEECHWOOD DRIVE NORTH ANDOVER, MA 01845
	DRAWN BY C.MCCORMICK	11/30/2004		CATEGORY
ALL OTHER DIMENSIONAL TOLERANCES: .X = ± .2 [5.08] .XX = ± .02 [51] .XXX = ± .005 [1.27]	CHECKED BY D.PARHAM	11/30/2004	PRODUCT DESCRIPTION	
	APPROVED BY R.CARRICK	11/30/2004	CONN SMA M BELDEN 7807 CRIMP	
PROJECTION	COLOR VARIATIONS MAY OCCUR	SIZE <b>A</b>	FSCM NO. <b>43321</b>	DWG. NO. <b>HPC781</b>
		SCALE: NONE	CAD FILE: HPC781.SLDDRW	SHEET 1 OF 1