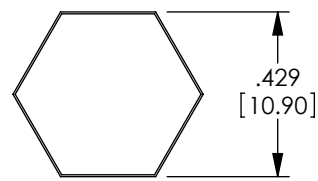
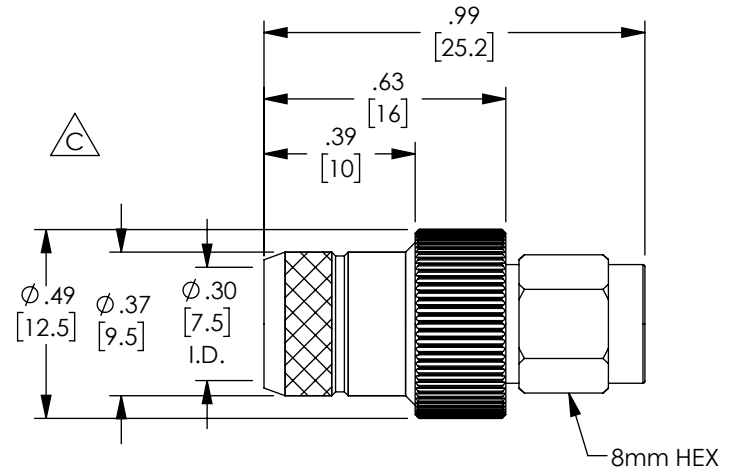
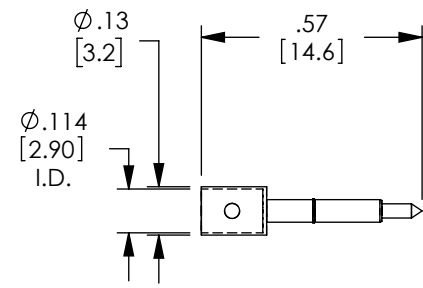
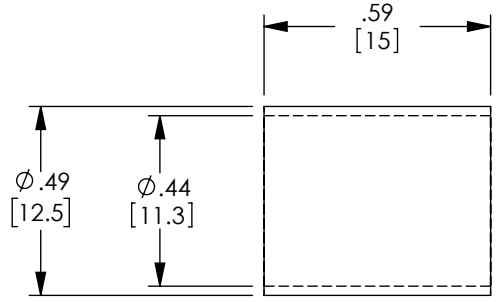


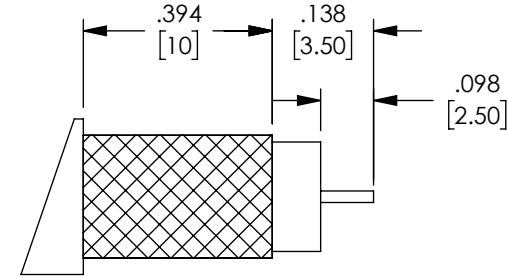
THE INFORMATION CONTAINED IN THIS DRAWING IS THE SOLE PROPERTY OF L-COM, INC. ANY REPRODUCTION IN PART OR WHOLE WITHOUT THE WRITTEN PERMISSION OF L-COM, INC. IS PROHIBITED.

REVISIONS			
REV	DESCRIPTION	DATE	APPROVED
A	DRAWING REPLACES HPC401-OD1	10/07/2014	DFRISIELLO
B	ECN 8007 UPDATE TO VENDOR SPECS, ADD ELECTRIC & MECH. SPECS	07/09/2015	BPUCHASKI
C	ECN 9672: REVISED MODEL, NOTES, FORMAT, STRIPPING DIMS	01/31/2019	DFRISIELLO

DESCRIPTION	MATERIAL	FINISH
BODY	BRASS	GOLD PLATING
CENTER PIN	BRASS	GOLD PLATING
SHELL	BRASS	GOLD PLATING
DIELECTRIC	PTFE	--
FERRULE	BRASS	GOLD PLATING



RECOMMENDED FERRULE CRIMP SIZE  
\*CENTER PIN: SOLDER



RECOMMENDED CABLE STRIPPING DIMENSIONS



**NOTES:**

**ELECTRICAL:**

- IMPEDENCE: 50 OHM
- FREQUENCY RANGE 0 ~ 6 GHz
- VOLTAGE RATING: 500V RMS
- INSULATOR RESISTANCE:  $\geq 5$  GIG OHM
- DIELECTRIC WITHSTANDING VOLTAGE: 1000V RMS
- CONTACT RESISTANCE: CENTER CONTACT  $\leq 3$  MEG OHM  
OUTER CONTACT  $\leq 2.5$  MEG OHM

**MECHANICAL:**

- MATING: 1/4-36 UNS SCREW-ON COUPLING
- RECOMMENDED MATING TORQUE: 7.1 - 9.7 LBS
- COUPLING NUT RETENTION FORCE:  $\geq 60.7$  LBS

- ALL DIMENSIONS ARE FOR REFERENCE ONLY -

**PACKAGING:**

CONNECTOR SHALL BE INDIVIDUALLY PACKAGED IN ACCORDANCE WITH L-COM SPECIFICATION PS-0031.

UNLESS OTHERWISE SPECIFIED, DIMENSIONS ARE IN INCHES [mm] OVERALL CABLE LENGTH TOLERANCE: $\leq 12$ [305] = +1 [25] / -0 $>12$ [305] $\leq 60$ [1524] = +2 [51] / -0 $>60$ [1524] $\leq 120$ [3048] = +4 [102] / -0 $>120$ [3048] $\leq 300$ [7620] = +6 [152] / -0 $>300$ [7620] = +5% / -0%	APPROVALS	DATE		50 HIGH STREET NORTH ANDOVER, MA 01845
	DRAWN BY C.MCCORMICK	11/30/2004		CATEGORY
ALL OTHER DIMENSIONAL TOLERANCES: .X = $\pm .2$ [5.08] .XX = $\pm .02$ [51] .XXX = $\pm .005$ [13]	CHECKED BY D.PARHAM	11/30/2004	PRODUCT DESCRIPTION	
PROJECTION 	APPROVED BY R.CARRICK	11/30/2004	CON, GOLD SMA M LMR400 CRIMP	
	CONFIGURATION DETAILS OF UNDIMENSIONED FEATURES MAY VARY		SIZE <b>A</b>	FSCM NO. <b>43321</b>
	COLOR VARIATIONS MAY OCCUR		DWG. NO. HPC401	REV. <b>C</b>
			SCALE: NONE	CAD FILE: HPC401.SLDDRW
				SHEET 1 OF 1