

6

5

4

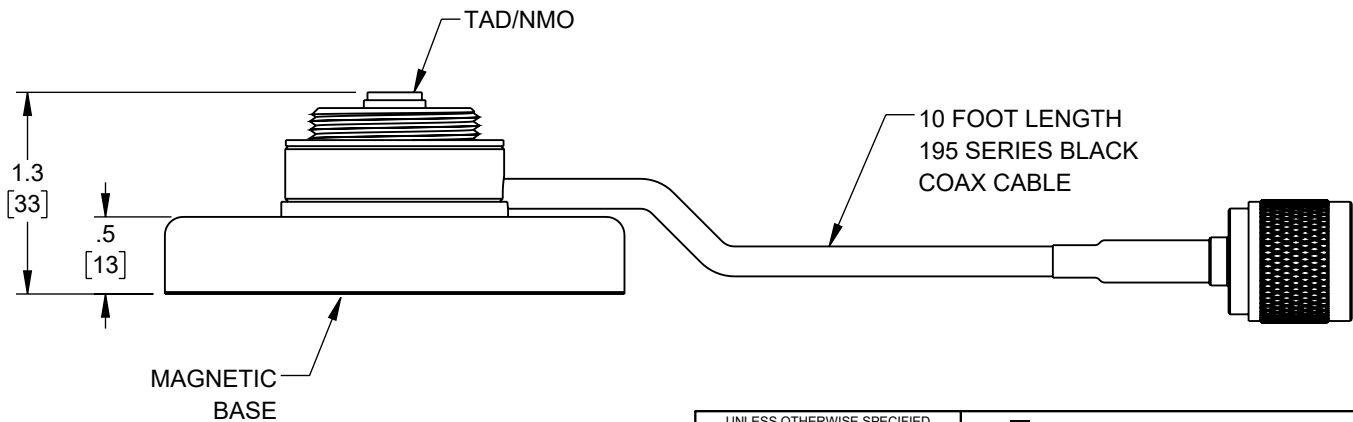
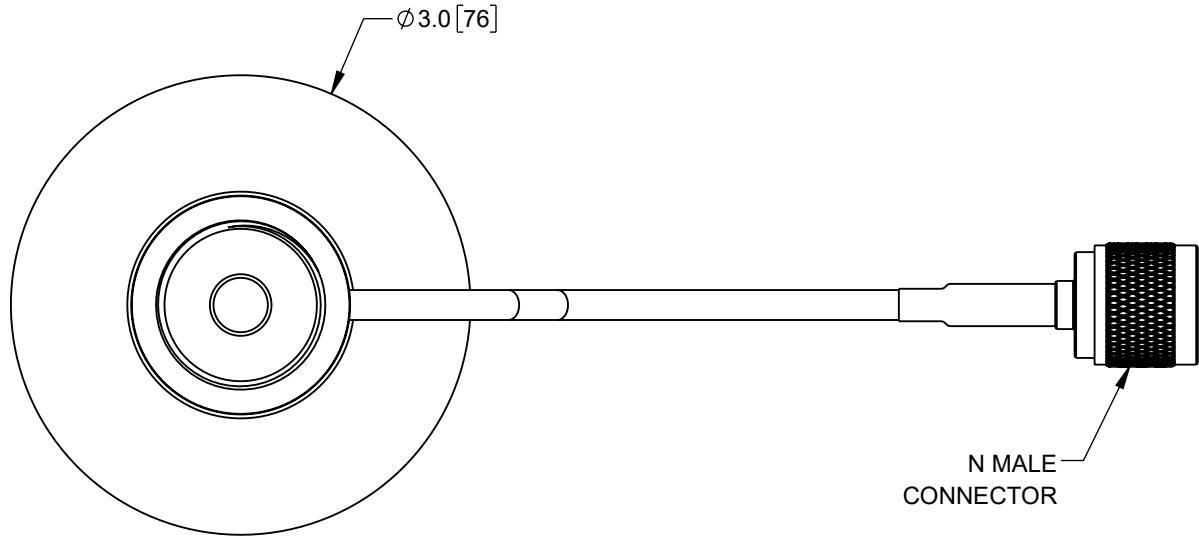
3

2

1

REVISION

| ZONE | REV | DESCRIPTION | DATE | CHANGED BY | APPROVED |
|------|-----|-------------|------------|------------|----------|
| | D | ECO-12643 | 07/24/2023 | SREITER | KHIETPAS |



UNLESS OTHERWISE SPECIFIED
LEADING DIMENSIONS ARE INCHES
DIMENSIONS IN [] ARE MILLIMETERS

TOLERANCES:

| | |
|---------------------|---------------------|
| X = ±.2 [5] | FRACTIONS ± 1/32 |
| .XX = ±.02 [0.5] | ANGLES ± 1° |
| .XXX = ±.005 [0.13] | |

CABLE LENGTH TOLERANCES:

| | | |
|-------------|-------------|-----------------|
| >12 [305] | ≤12 [305] | = +1 [25] / -0 |
| >60 [1524] | ≤60 [1524] | = +2 [51] / -0 |
| >80 [2032] | ≤80 [2032] | = +4 [102] / -0 |
| >120 [3048] | ≤120 [3048] | = +6 [152] / -0 |
| >300 [7620] | ≤300 [7620] | = +5% / -0 |

ALL DIMENSIONS ARE FOR REFERENCE ONLY
AND SUBJECT TO CHANGE WITHOUT NOTICE.
UN-DIMENSIONED/NON-CRITICAL FEATURES
MAY VARY IN SIZE AND LOCATION
COLORS MAY VARY

L-com[®]
an INFINIT[®] brand
Website: www.L-com.com
Phone: 1.800.341.5266 | 1.978.682.6936

INTERPRET ALL DIMENSIONS AND
TOLERANCES PER ASME Y14.5

| | |
|---------------|-----------------|
| SCALE NONE | SHEET 1 OF 1 |
|---------------|-----------------|

DESCRIPTION
**MOBILE ANTENNA MOUNT, 195 SERIES CABLE -
N-MALE CONNECTOR**

THE INFORMATION CONTAINED IN THIS DRAWING IS THE SOLE PROPERTY OF INFINITE ELECTRONICS, INC. ANY REPRODUCTION IN PART OR WHOLE WITHOUT THE WRITTEN PERMISSION OF INFINITE ELECTRONICS, INC. IS PROHIBITED. THESE COMMODITIES, TECHNOLOGY OR SOFTWARE WERE EXPORTED FROM THE UNITED STATES IN ACCORDANCE WITH THE EXPORT ADMINISTRATION REGULATIONS. DIVERSION CONTRARY TO U.S. LAW PROHIBITED.

| | | | | |
|-----------|--------------------|-----------------------|------------------------|----------|
| SIZE A | CAGE CODE 43321 | DRAWN BY BPUCHASKI | ITEM NO. HMA1-NMA10 | REV D |
|-----------|--------------------|-----------------------|------------------------|----------|

6

5

4

3

2

1