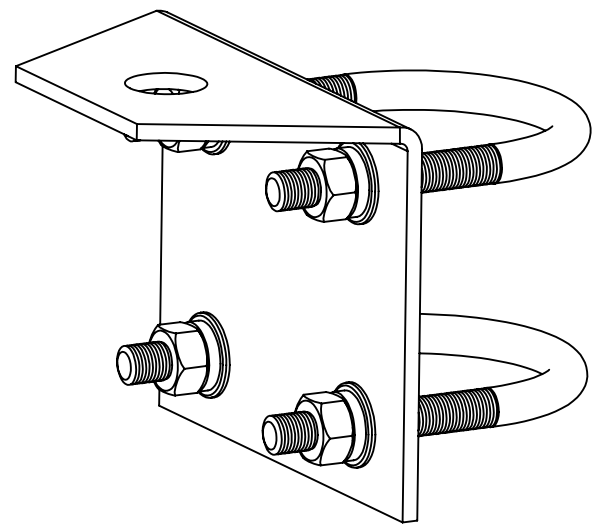
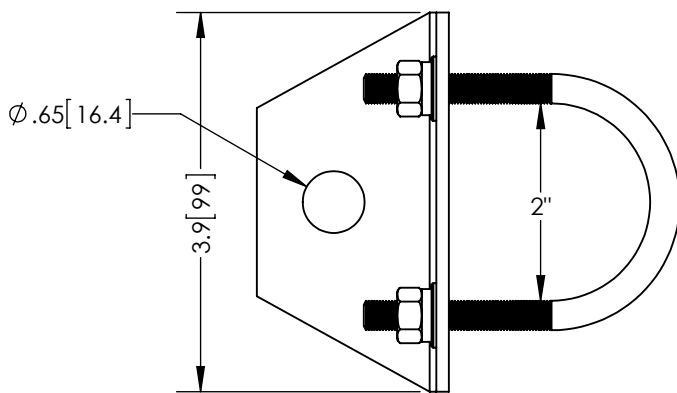
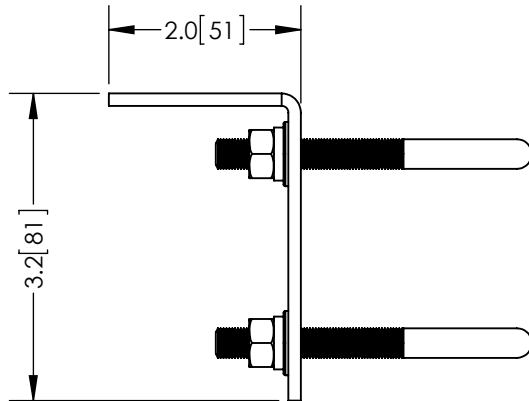


THE INFORMATION CONTAINED IN THIS DRAWING IS THE SOLE PROPERTY OF L-COM, INC. ANY REPRODUCTION IN PART OR WHOLE WITHOUT THE WRITTEN PERMISSION OF L-COM, INC. IS PROHIBITED.

REVISIONS			
REV	DESCRIPTION	DATE	APPROVED
A	INITIAL RELEASE	06/01/12	D.GRIFFIN



**RoHS Compliant** ✓

NOTES:  
 PACKAGING: SHALL BE PACKAGED AS PER L-COM SPEC PKG-00012  
 - ALL DIMENSIONS FOR REFERENCE ONLY -

UNLESS OTHERWISE SPECIFIED, DIMENSIONS ARE IN INCHES [mm]  DIMENSIONAL TOLERANCES: .X = ±.1 .XX = ±.01 .XXX = ±.005  ANGULAR TOLERANCES: ALL = ± 1°	APPROVALS B.PUCHASKI	DATE 06/01/12	45 BEECHWOOD DRIVE NORTH ANDOVER, MA 01845			
	CHECKED BY P.PESA	DATE 06/01/12		CATEGORY ANTENNA		
	APPROVED BY P.PESA	DATE 06/01/12	PRODUCT DESCRIPTION OMNI ANTENNA ANGLED MAST MOUNT			
	CONFIGURATION DETAILS OF UNDIMENSIONED FEATURES MAY VARY	COLOR VARIATIONS MAY OCCUR	SIZE <b>A</b>	FSCM NO. <b>43321</b>	DWG. NO. HGX-PMT23	REV. <b>A</b>
PROJECTION 		SCALE: NONE		CAD FILE: HGX-PMT23.SLDDRW		SHEET 1 OF 1