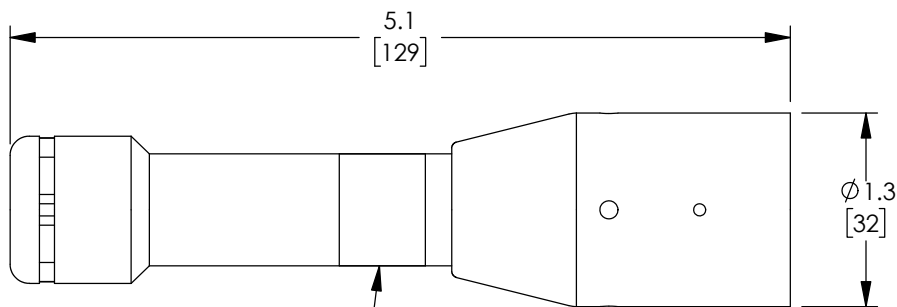
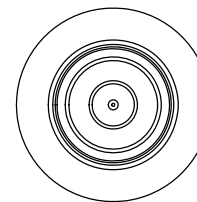
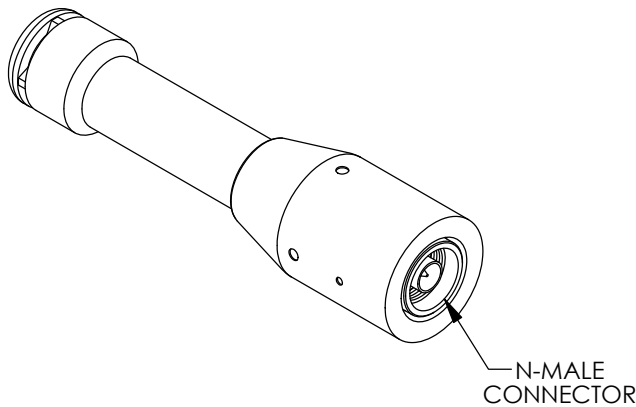


THE INFORMATION CONTAINED IN THIS DRAWING IS THE SOLE PROPERTY OF L-COM, INC. ANY REPRODUCTION IN PART OR WHOLE WITHOUT THE WRITTEN PERMISSION OF L-COM, INC. IS PROHIBITED.

REVISIONS			
REV	DESCRIPTION	DATE	APPROVED
A	INITIAL RELEASE	08/27/2020	KHIETPAS


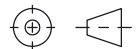


LABEL PER  
ILS-100-08



**NOTES:**

1. ANTENNA SHALL BE INDIVIDUALLY PACKAGED IN ACCORDANCE WITH L-COM SPECIFICATION PS-0031.
2. ALL DIMENSIONS ARE FOR REFERENCE ONLY.

UNLESS OTHERWISE SPECIFIED, DIMENSIONS ARE IN INCHES [mm]  OVERALL CABLE LENGTH TOLERANCE: ≤12 [305] = +1 [25] / -0 >12 [305] ≤60 [1524] = +2 [51] / -0 >60 [1524] ≤120 [3048] = +4 [102] / -0 >120 [3048] ≤300 [7620] = +6 [152] / -0 >300 [7620] = +5% / -0  ALL OTHER DIMENSIONAL TOLERANCES: .X = ±.2 [5]      FRACTIONS ± 1/32 .XX = ±.02 [.5]      ANGLES ± 1° .XXX = ±.005 [.13]	APPROVALS DRAWN BY BPUCHASKI	DATE 08/27/2020	 50 High Street, West Mill, North Andover, MA 01845 USA. Phone: 1.800.341.5266 1.978.682.6936
	CHECKED BY DFRISIELLO	DATE 08/27/2020	
THIRD-ANGLE PROJECTION 	APPROVED BY KHIETPAS	DATE 08/27/2020	PRODUCT DESCRIPTION ANT,OMNI 2.4/5.8GHz 3dBi N MALE
CONFIGURATION DETAILS OF UNDIMENSIONED FEATURES MAY VARY		COLOR VARIATIONS MAY OCCUR	SCALE: NONE    CAD FILE: HGV-2458-03U-NM.SLDDRW    SHEET 1 OF 1
SIZE <b>A</b>	CAGE CODE <b>43321</b>	DWG. NO. <b>HGV-2458-03U-NM</b>	REV. <b>A</b>