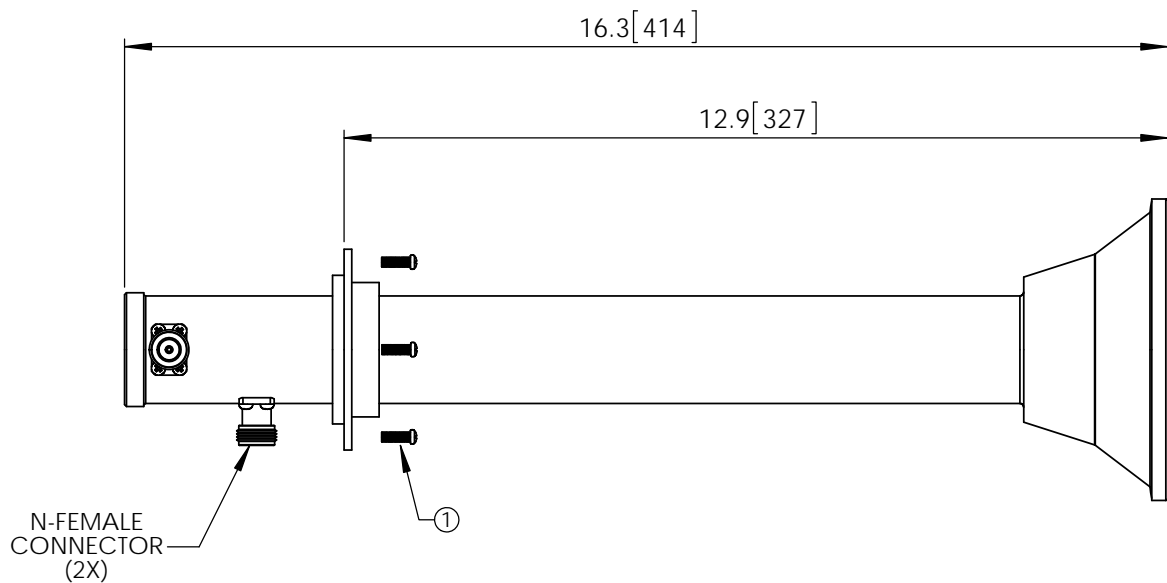
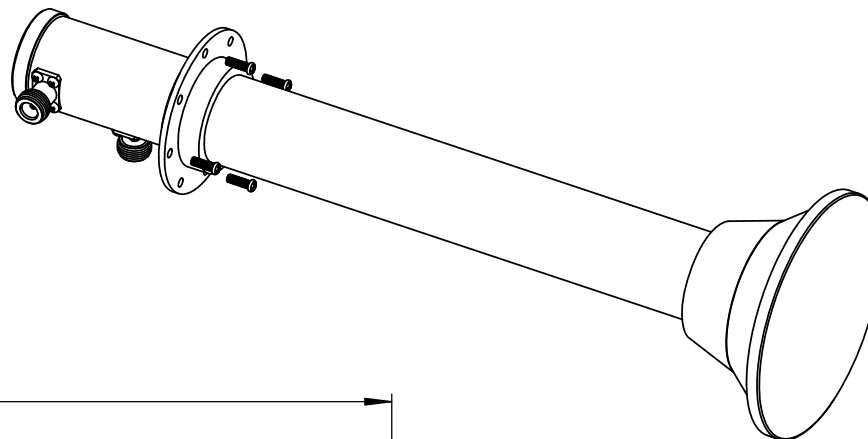


THE INFORMATION CONTAINED IN THIS DRAWING IS THE SOLE PROPERTY OF L-COM, INC. ANY REPRODUCTION IN PART OR WHOLE WITHOUT THE WRITTEN PERMISSION OF L-COM, INC. IS PROHIBITED.

REVISIONS			
REV	DESCRIPTION	DATE	APPROVED
A	INITIAL RELEASE	8/20/13	D.GRIFFIN
B	ECN7844 ADDED HARDWARE CHART	03/24/15	B.PUCHASKI

HARDWARE SUPPLIED		
PART#	DESCRIPTION	QUANTITY
1	M4 X 12 SS304 PHILLIPS PH MS	4



NOTES:
 PACKAGING:
 COMPONENT SHALL BE PACKAGED IN ACCORDANCE WITH L-COM SPEC PKG-00012.

- ALL DIMENSIONS FOR REFERENCE ONLY -

REGULATORY COMPLIANCE:
 CE2011/65/EU(RoHS DIRECTIVE)

UNLESS OTHERWISE SPECIFIED, DIMENSIONS ARE IN INCHES [mm]	APPROVALS	DATE	45 BEECHWOOD DRIVE NORTH ANDOVER, MA 01845
	DRAWN BY B.PUCHASKI	08/01/13	
	CHECKED BY P.PESA	08/01/13	
DIMENSIONAL TOLERANCES: .X = ±.1 [2.54] .XX = ±.01 [.25] .XXX = ±.005 [.13]	APPROVED BY P.PESA	08/01/13	CATEGORY ANTENNA
	ANGULAR TOLERANCES: ALL = ± 1°		PRODUCT DESCRIPTION ANTENNA FEEDHORN REPLACEMENT 5GHz 34dBi
PROJECTION 	CONFIGURATION DETAILS OF UNDIMENSIONED FEATURES MAY VARY	COLOR VARIATIONS MAY OCCUR	SIZE A FSCM NO. 43321 DWG. NO. HGFH-534DPD REV. B SCALE: NONE CAD FILE: HGFH-534DPD.SLDDRW SHEET 1 OF 1