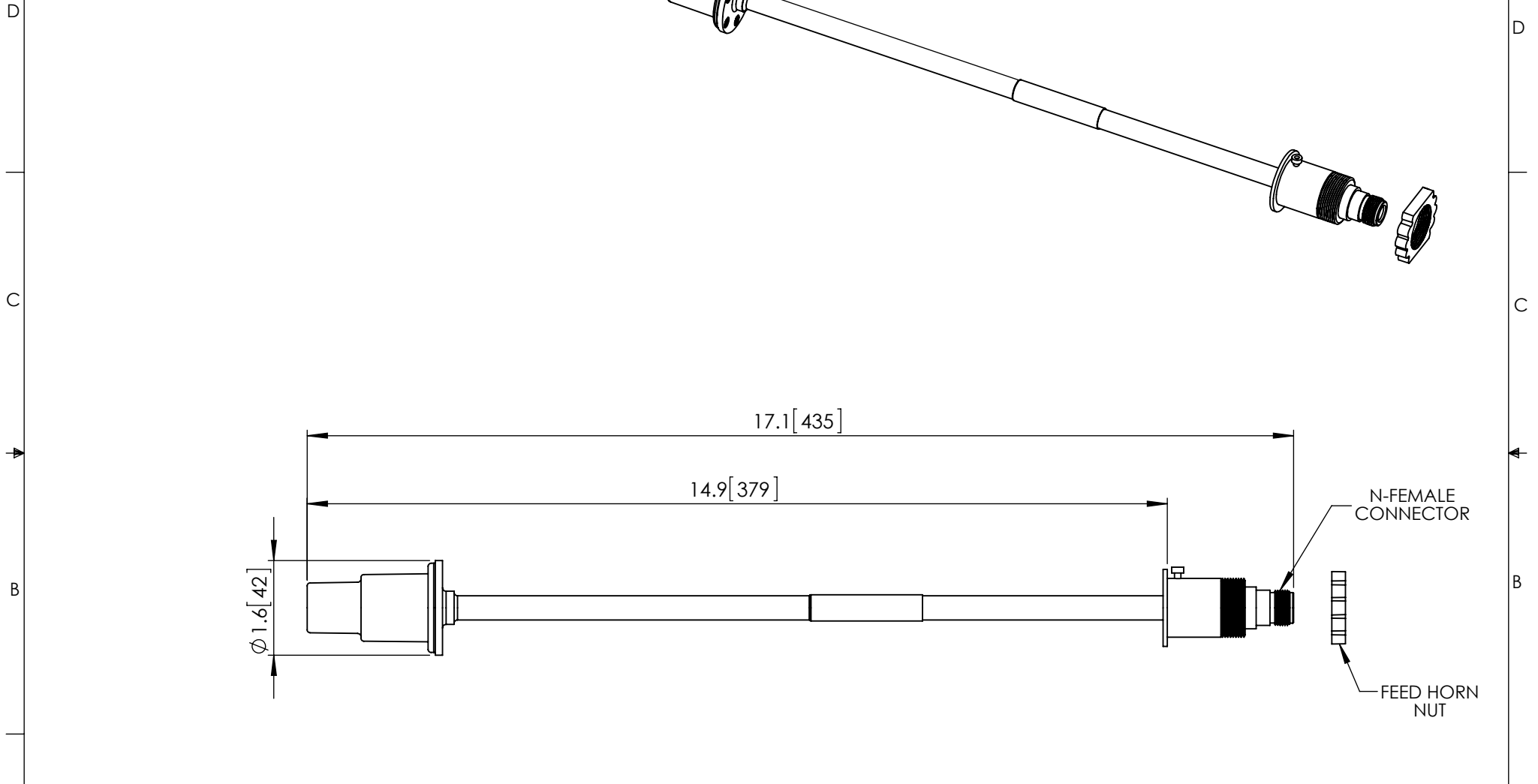


THE INFORMATION CONTAINED IN THIS DRAWING IS THE SOLE PROPERTY OF L-COM, INC. ANY REPRODUCTION IN PART OR WHOLE WITHOUT THE WRITTEN PERMISSION OF L-COM, INC. IS PROHIBITED.

REVISIONS			
REV	DESCRIPTION	DATE	APPROVED
A	INITIAL RELEASE	8/20/13	D.GRIFFIN



NOTES:
PACKAGING:
 COMPONENT SHALL BE PACKAGED IN ACCORDANCE WITH L-COM SPEC PKG-00012.
 - ALL DIMENSIONS FOR REFERENCE ONLY -

REGULATORY COMPLIANCE:
 ROHS, CE

UNLESS OTHERWISE SPECIFIED, DIMENSIONS ARE IN INCHES [mm] DIMENSIONAL TOLERANCES: .X = ±.1 .XX = ±.01 .XXX = ±.005 ANGULAR TOLERANCES: ALL = ± 1°	APPROVALS	DATE		45 BEECHWOOD DRIVE NORTH ANDOVER, MA 01845	
	DRAWN BY B.PUCHASKI	08/01/13			
	CHECKED BY P.PESA	08/01/13	CATEGORY	ANTENNA	
	APPROVED BY P.PESA	08/01/13	PRODUCT DESCRIPTION	ANTENNA FEEDHORN REPLACEMENT 5GHz 33dBi	
PROJECTION 	COLOR VARIATIONS MAY OCCUR	SIZE A	FSCM NO. 43321	DWG. NO. HGFH-533D	REV. A
		SCALE: NONE	CAD FILE: HGFH-533D.SLDDRW	SHEET 1 OF 1	