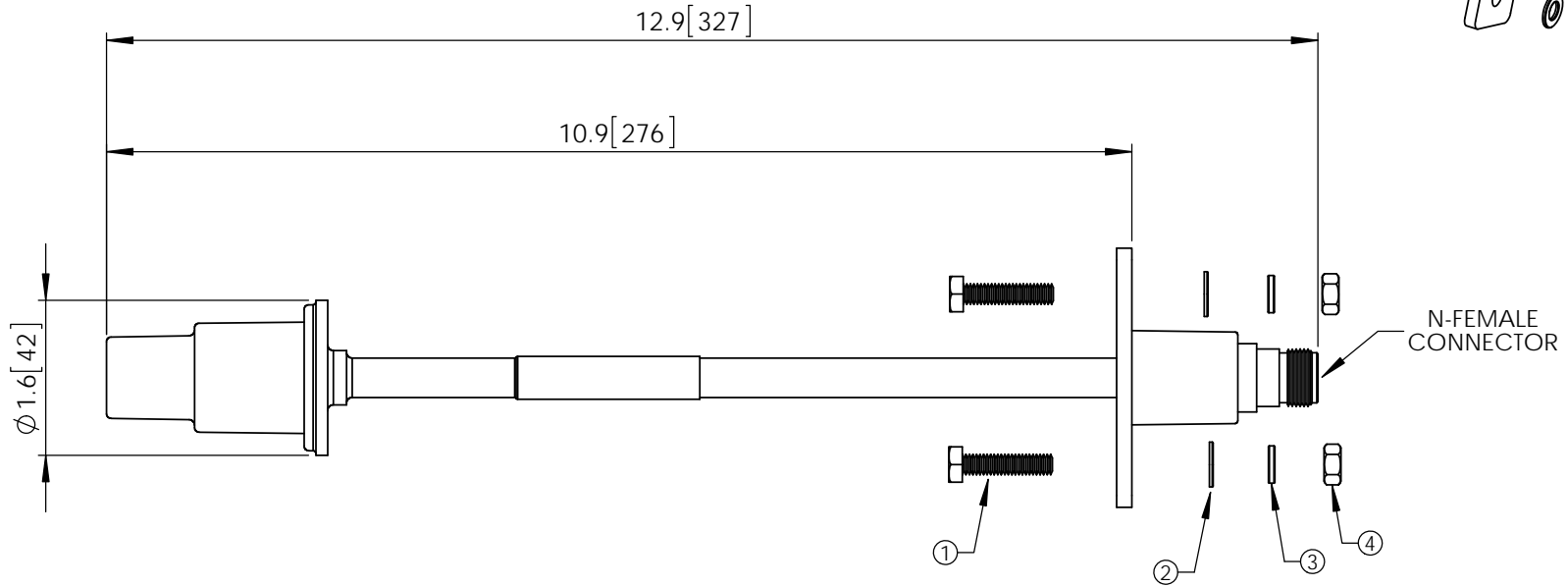
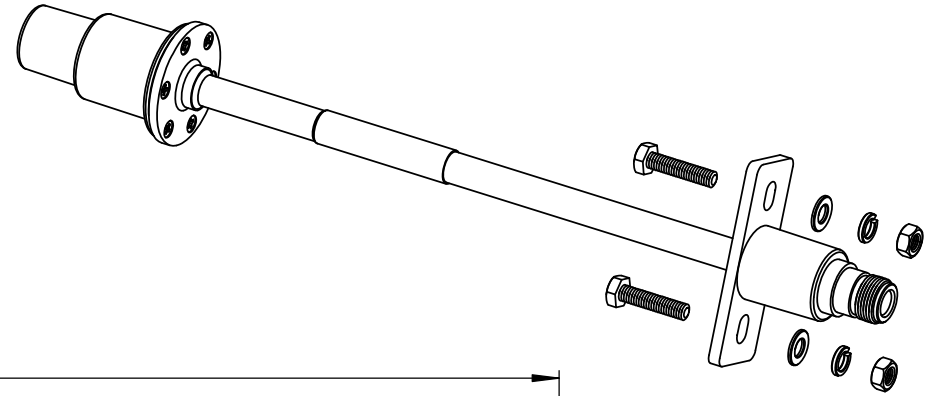


THE INFORMATION CONTAINED IN THIS DRAWING IS THE SOLE PROPERTY OF L-COM, INC. ANY REPRODUCTION IN PART OR WHOLE WITHOUT THE WRITTEN PERMISSION OF L-COM, INC. IS PROHIBITED.

REVISIONS			
REV	DESCRIPTION	DATE	APPROVED
A	INITIAL RELEASE	8/20/13	D.GRIFFIN
B	ECN7844 ADDED HARDWARE CHART	03/24/15	B.PUCHASKI

HARDWARE SUPPLIED		
PART#	DESCRIPTION	QUANTITY
1	M6 X 25 SS304 HEX BOLT	2
2	M6 SS304 FLAT WASHER	2
3	M6 SS304 LOCK WASHER	2
4	M6 SS304 HEX NUT	2



**NOTES:**  
 PACKAGING:  
 COMPONENT SHALL BE PACKAGED IN ACCORDANCE WITH L-COM SPEC PKG-00012.

- ALL DIMENSIONS FOR REFERENCE ONLY -

**REGULATORY COMPLIANCE:**  
 CE2011/65/EU(RoHS DIRECTIVE)

UNLESS OTHERWISE SPECIFIED, DIMENSIONS ARE IN INCHES [mm]  DIMENSIONAL TOLERANCES: .X = ±.1 [2.54] .XX = ±.01 [2.5] .XXX = ±.005 [.13]  ANGULAR TOLERANCES: ALL = ± 1°  PROJECTION	APPROVALS DRAWN BY B.PUCHASKI CHECKED BY P.PESA APPROVED BY P.PESA	DATE 08/01/13 08/01/13 08/01/13	45 BEECHWOOD DRIVE NORTH ANDOVER, MA 01845			
	CATEGORY ANTENNA			PRODUCT DESCRIPTION ANTENNA FEEDHORN REPLACEMENT 5GHz 27dBi		
	CONFIGURATION DETAILS OF UNDIMENSIONED FEATURES MAY VARY  COLOR VARIATIONS MAY OCCUR		SIZE <b>A</b>		FSCM NO. <b>43321</b>	DWG. NO. HGFH-527EG
	SCALE: NONE		CAD FILE: HGFH-527EG.SLDDRW		SHEET 1 OF 1	