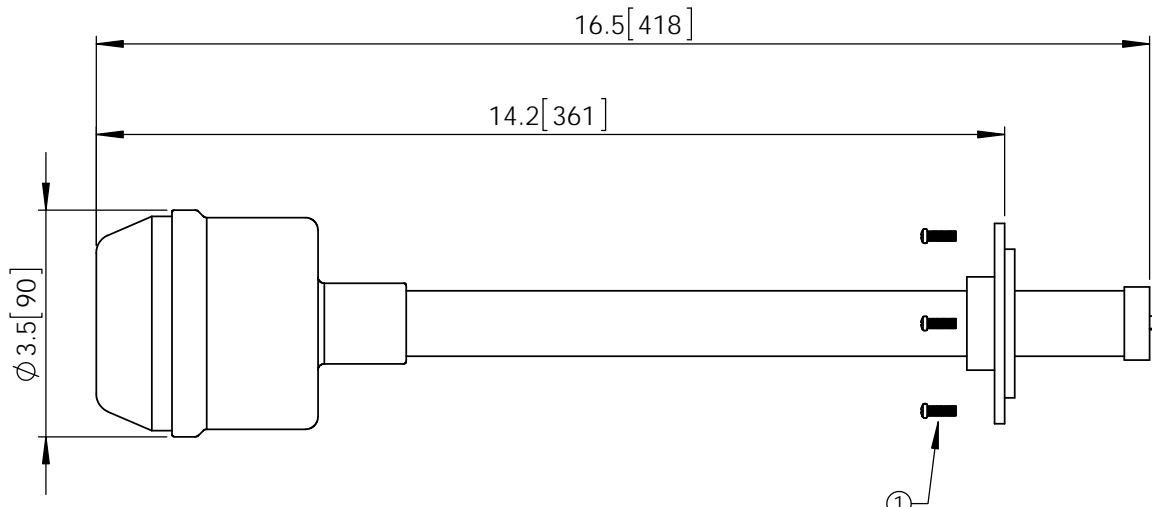
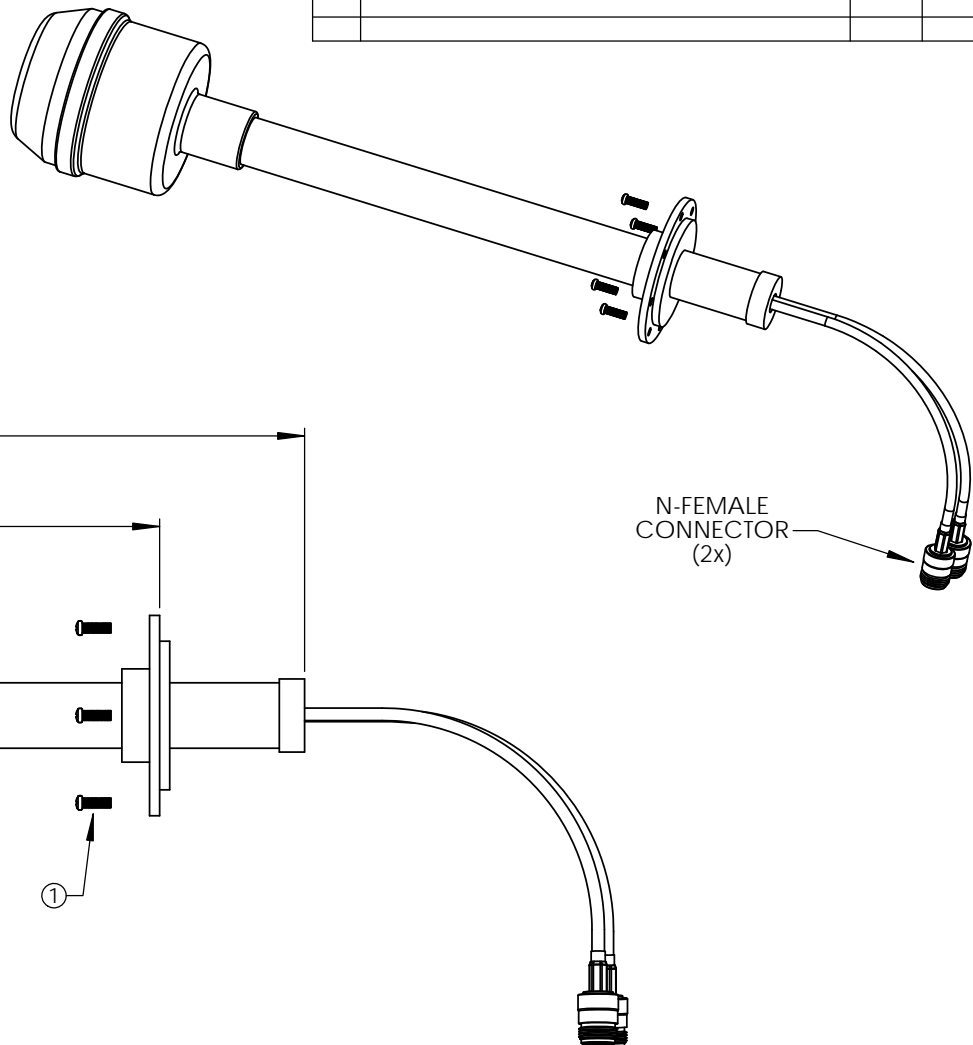


THE INFORMATION CONTAINED IN THIS DRAWING IS THE SOLE PROPERTY OF L-COM, INC. ANY REPRODUCTION IN PART OR WHOLE WITHOUT THE WRITTEN PERMISSION OF L-COM, INC. IS PROHIBITED.

REVISIONS			
REV	DESCRIPTION	DATE	APPROVED
A	INITIAL RELEASE	8/21/13	D.GRIFFIN
B	ECN7844 ADDED HARDWARE CHART	03/24/15	B.PUCHASKI

HARDWARE SUPPLIED		
PART#	DESCRIPTION	QUANTITY
1	M4 X 12 SS304 PHILLIPS PH MS	4



N-FEMALE CONNECTOR (2x)

**NOTES:**

PACKAGING:  
COMPONENT SHALL BE PACKAGED IN ACCORDANCE WITH L-COM SPEC PKG-00012.

- ALL DIMENSIONS FOR REFERENCE ONLY -

**REGULATORY COMPLIANCE:**  
CE2011/65/EU(RoHS DIRECTIVE)

UNLESS OTHERWISE SPECIFIED, DIMENSIONS ARE IN INCHES [mm]  DIMENSIONAL TOLERANCES: .X = ±.1 [2.54] .XX = ±.01 [.25] .XXX = ±.005 [.13]  ANGULAR TOLERANCES: ALL = ± 1°	APPROVALS	DATE		45 BEECHWOOD DRIVE NORTH ANDOVER, MA 01845	
	DRAWN BY B.PUCHASKI	08/05/13			
	CHECKED BY P.PESA	08/05/13	CATEGORY	ANTENNA	
	APPROVED BY P.PESA	08/05/13	PRODUCT DESCRIPTION	ANTENNA FEEDHORN REPLACEMENT 2.4GHz 25dBi	
PROJECTION 	COLOR VARIATIONS MAY OCCUR	SIZE <b>A</b>	FSCM NO. <b>43321</b>	DWG. NO. <b>HGFH-225DPD</b>	REV. <b>B</b>
		SCALE: NONE	CAD FILE: HGFH-225DPD.SLDDRW		SHEET 1 OF 1