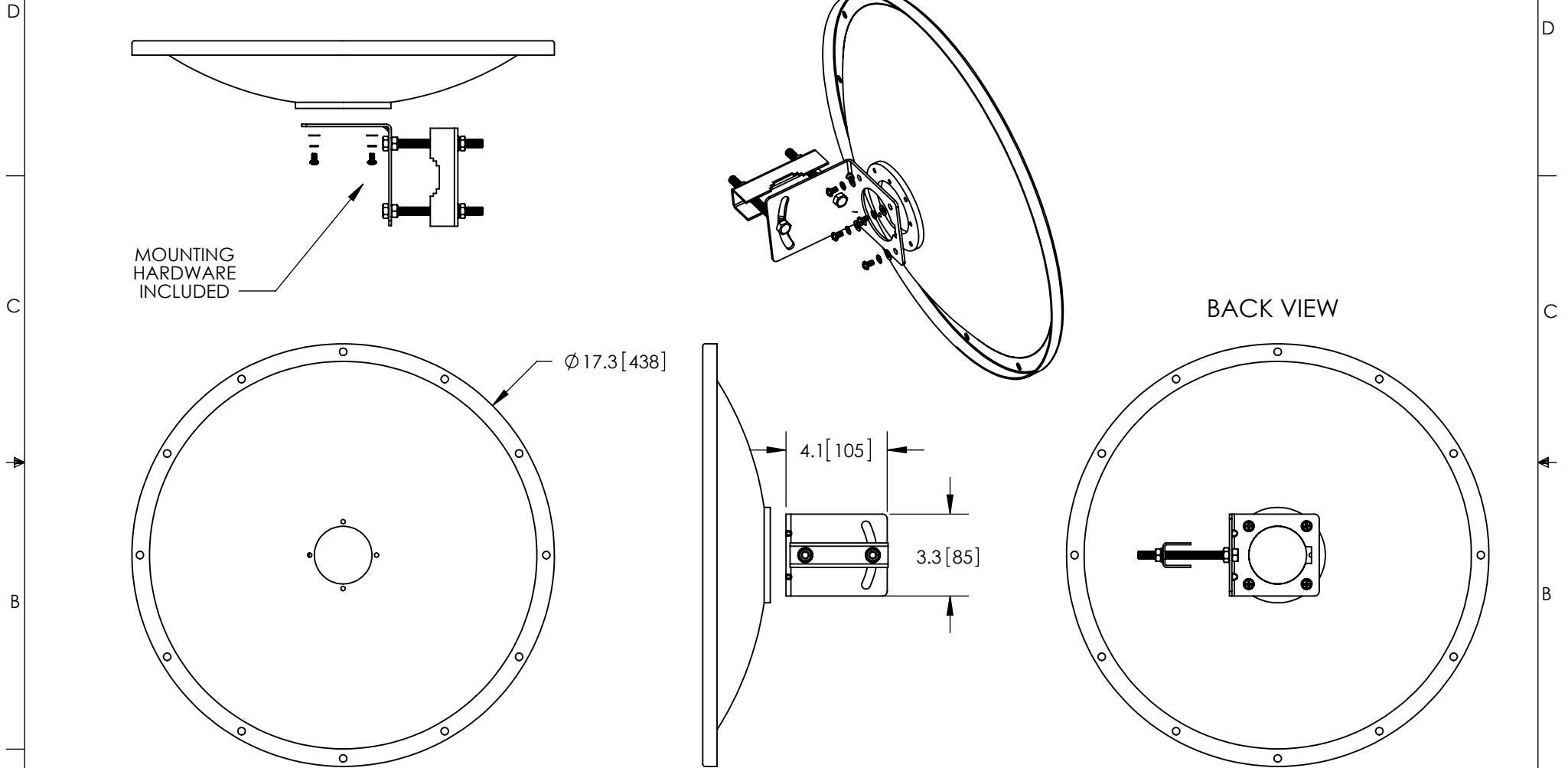


THE INFORMATION CONTAINED IN THIS DRAWING IS THE SOLE PROPERTY OF L-COM, INC. ANY REPRODUCTION IN PART OR WHOLE WITHOUT THE WRITTEN PERMISSION OF L-COM, INC. IS PROHIBITED.

REVISIONS			
REV	DESCRIPTION	DATE	APPROVED
A	INITIAL RELEASE	8/7/13	D.GRIFFIN



NOTES:
 PACKAGING:
 COMPONENT SHALL BE PACKAGED IN ACCORDANCE WITH L-COM SPEC PKG-00012
 - ALL DIMENSIONS FOR REFERENCE-
REGULATORY COMPLIANCE:
 RoHS, CE

UNLESS OTHERWISE SPECIFIED, DIMENSIONS ARE IN INCHES [mm] DIMENSIONAL TOLERANCES: .X = ±.1 [2.54] .XX = ±.01 [.25] .XXX = ±.005 [.13] ANGULAR TOLERANCES: ALL = ± 1°	APPROVALS	DATE		45 BEECHWOOD DRIVE NORTH ANDOVER, MA 01845	
	DRAWN BY B.PUCHASKI	08/06/13			
	CHECKED BY P.PESA	08/06/13	CATEGORY	ANTENNA	
	APPROVED BY P.PESA	08/06/13	PRODUCT DESCRIPTION	ANTENNA DISH W/ HARDWARE 400mm	
PROJECTION 	COLOR VARIATIONS MAY OCCUR	SIZE A	FSCM NO. 43321	DWG. NO. HGDH-400	REV. A
		SCALE: NONE	CAD FILE: HGDH-400.SLDDRW		SHEET 1 OF 1