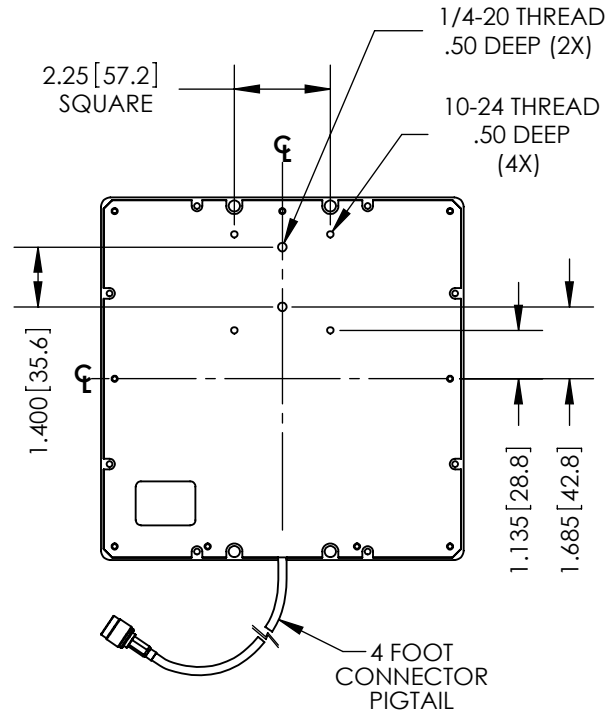
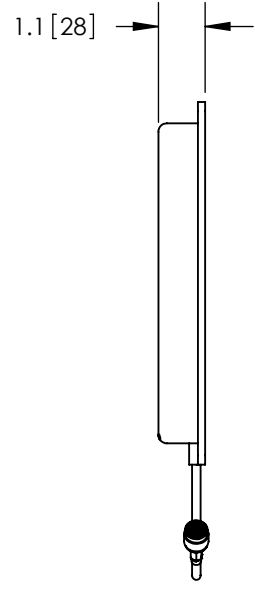
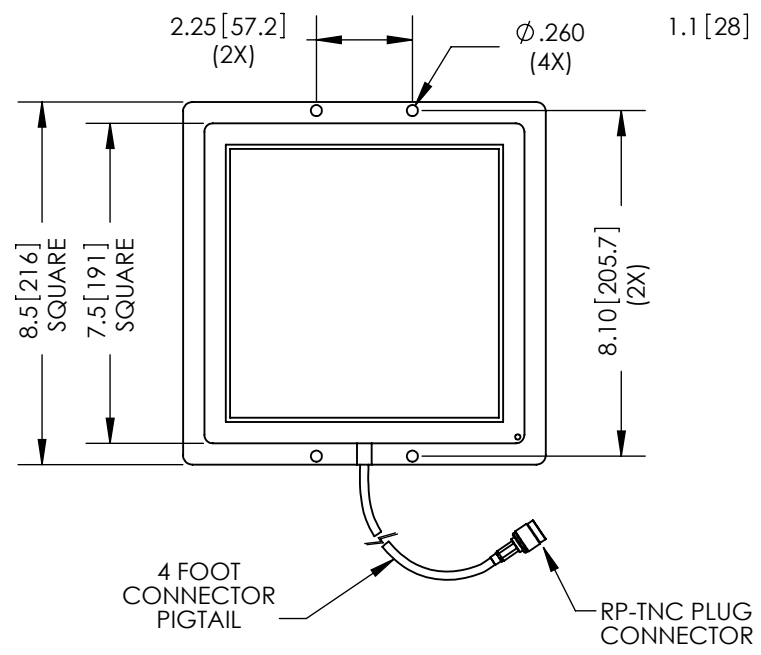
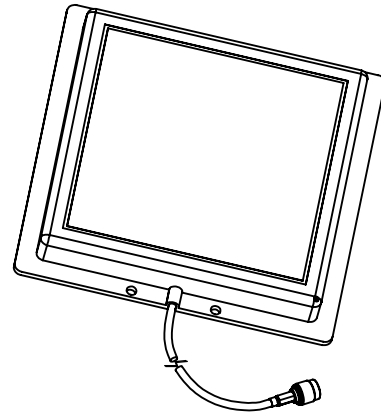


THE INFORMATION CONTAINED IN THIS DRAWING IS THE SOLE PROPERTY OF L-COM, INC. ANY REPRODUCTION IN PART OR WHOLE WITHOUT THE WRITTEN PERMISSION OF L-COM, INC. IS PROHIBITED.

REVISIONS			
REV	DESCRIPTION	DATE	APPROVED
A	INITIAL RELEASE	08/15/12	D.GRIFFIN
-	-	-	-
-	-	-	-



NOTES:  
 PACKAGING:  
 COMPONENT SHALL BE PACKAGED IN ACCORDANCE WITH L-COM SPEC PKG-00012  
 - ALL DIMENSIONS FOR REFERENCE ONLY -

**RoHS Compliant** ✓

UNLESS OTHERWISE SPECIFIED, DIMENSIONS ARE IN INCHES [mm]  DIMENSIONAL TOLERANCES: .X = ±.1 .XX = ±.01 .XXX = ±.005  ANGULAR TOLERANCES: ALL = ± 1°	APPROVALS	DATE		45 BEECHWOOD DRIVE NORTH ANDOVER, MA 01845	
	DRAWN BY B.PUCHASKI	08/15/12			
	CHECKED BY P.PESA	08/15/12	CATEGORY <b>ANTENNA</b>		
	APPROVED BY P.PESA	08/15/12	PRODUCT DESCRIPTION 900MHz 8dBi LH CIR. POLARIZED FLAT PANEL ANTENNA W/4 FOOT PIGTAIL AND RP-TNC PLUG CONNECTOR		
PROJECTION 	COLOR VARIATIONS MAY OCCUR	SIZE <b>A</b>	FSCM NO. <b>43321</b>	DWG. NO. <b>HG908PCL-RTP</b>	REV. <b>A</b>
		SCALE: NONE	CAD FILE: HG908PCL-RTP.SLDDRW		SHEET 1 OF 1