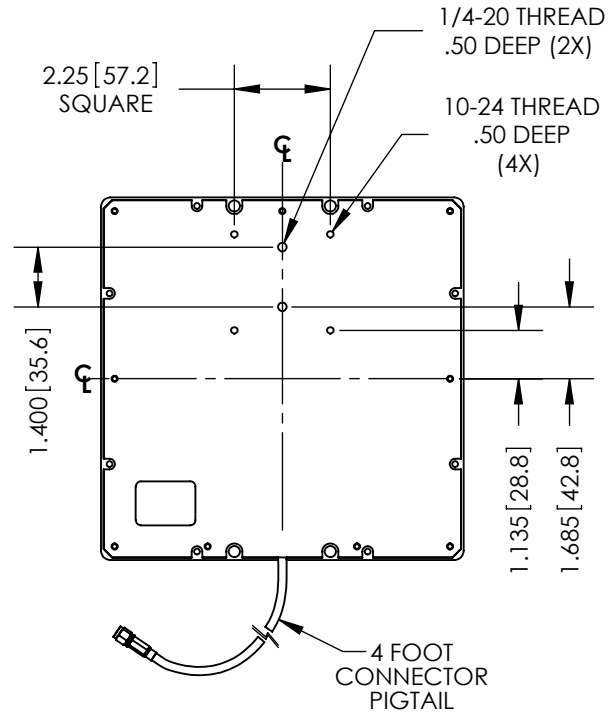
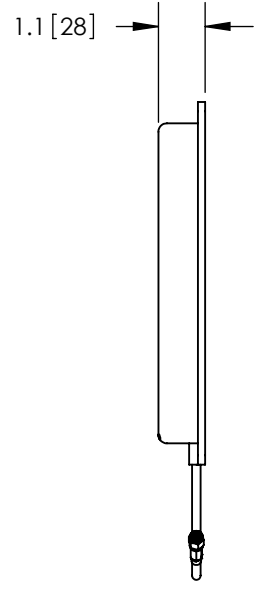
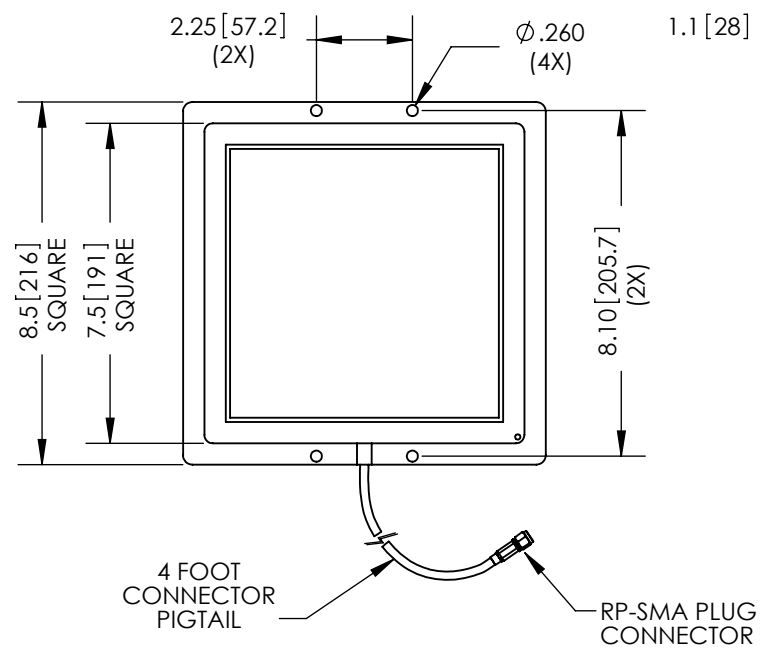
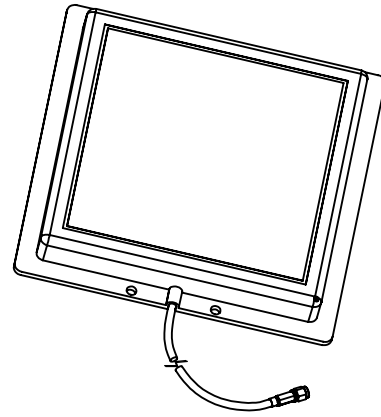


THE INFORMATION CONTAINED IN THIS DRAWING IS THE SOLE PROPERTY OF L-COM, INC. ANY REPRODUCTION IN PART OR WHOLE WITHOUT THE WRITTEN PERMISSION OF L-COM, INC. IS PROHIBITED.

REVISIONS			
REV	DESCRIPTION	DATE	APPROVED
A	INITIAL RELEASE	08/15/12	D.GRIFFIN
-	-	-	-
-	-	-	-



NOTES:
 PACKAGING:
 COMPONENT SHALL BE PACKAGED IN ACCORDANCE WITH L-COM SPEC PKG-00012
 - ALL DIMENSIONS FOR REFERENCE ONLY -

RoHS Compliant ✓

UNLESS OTHERWISE SPECIFIED, DIMENSIONS ARE IN INCHES [mm] DIMENSIONAL TOLERANCES: .X = ±.1 .XX = ±.01 .XXX = ±.005 ANGULAR TOLERANCES: ALL = ± 1°	APPROVALS	DATE		45 BEECHWOOD DRIVE NORTH ANDOVER, MA 01845	
	DRAWN BY B.PUCHASKI	08/15/12			
	CHECKED BY P.PESA	08/15/12	CATEGORY ANTENNA		
	APPROVED BY P.PESA	08/15/12	PRODUCT DESCRIPTION 900MHz 8dBi LH CIR. POLARIZED FLAT PANEL ANTENNA W/4 FOOT PIGTAIL AND RP-SMA PLUG CONNECTOR		
PROJECTION 	COLOR VARIATIONS MAY OCCUR	SIZE A	FSCM NO. 43321	DWG. NO. HG908PCL-RSP	REV. A
		SCALE: NONE	CAD FILE: HG908PCL-RSP.SLDDRW		SHEET 1 OF 1