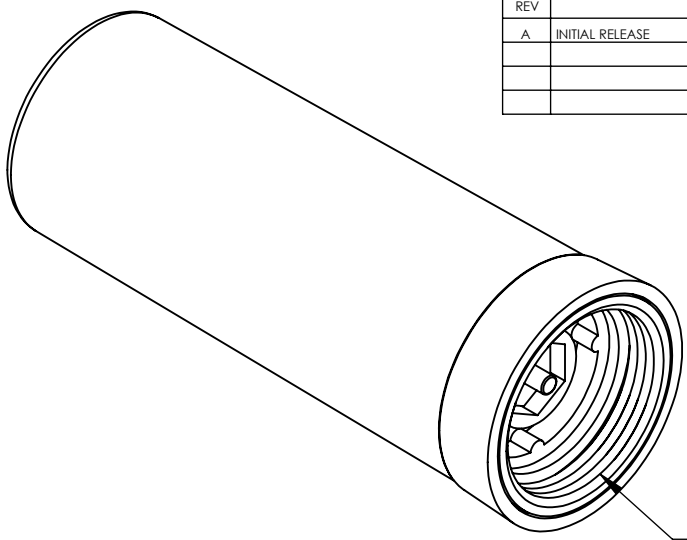
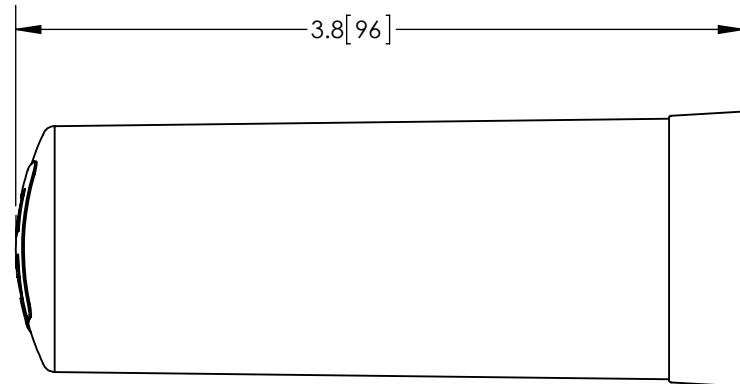


THE INFORMATION CONTAINED IN THIS DRAWING IS THE SOLE PROPERTY OF L-COM, INC. ANY REPRODUCTION IN PART OR WHOLE WITHOUT THE WRITTEN PERMISSION OF L-COM, INC. IS PROHIBITED.

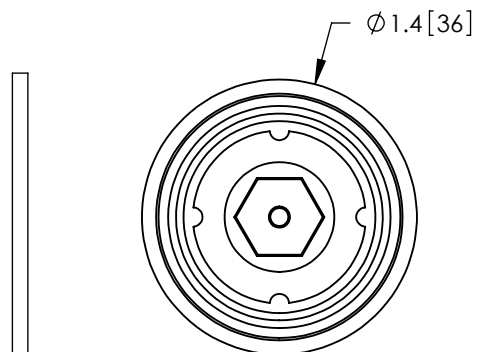
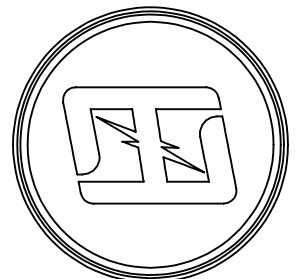
REVISIONS			
REV	DESCRIPTION	DATE	APPROVED
A	INITIAL RELEASE	3/18/14	D.GRIFFIN



NMO CONNECTOR



3.8 [96]



Ø1.4 [36]

RUBBER GASKET INCLUDED

**NOTES:**

PACKAGING:  
COMPONENT SHALL BE INDIVIDUALLY PACKAGED IN ACCORDANCE WITH L-COM SPECIFICATION PKG-00012

- ALL DIMENSIONS ARE FOR REFERENCE ONLY -

**REGULATORY COMPLIANCE:**  
CE2011/65/EU (RoHS DIRECTIVE)

UNLESS OTHERWISE SPECIFIED, DIMENSIONS ARE IN INCHES [mm]  DIMENSIONAL TOLERANCES: .X = ±.1 [2.54] .XX = ±.01 [.25] .XXX = ±.005 [.13]  ANGULAR TOLERANCES: ALL = ± 1°  PROJECTION	APPROVALS B.PUCHASKI	DATE 03/17/14		45 BEECHWOOD DRIVE NORTH ANDOVER, MA 01845	
	CHECKED BY P.PESA	03/17/14			CATEGORY ANTENNA
	APPROVED BY P.PESA	03/17/14	PRODUCT DESCRIPTION 700MHz - 2.7GHz 3dBI OMNI ANTENNA - BLACK W/ NMO CONNECTOR		
	CONFIGURATION DETAILS OF UNDIMENSIONED FEATURES MAY VARY	COLOR VARIATIONS MAY OCCUR	SIZE <b>A</b>	FSCM NO. <b>43321</b>	DWG. NO. HG72703UR-NMOB
SCALE: NONE		CAD FILE: HG72703UR-NMOB.SLDDRW		SHEET 1 OF 1	

