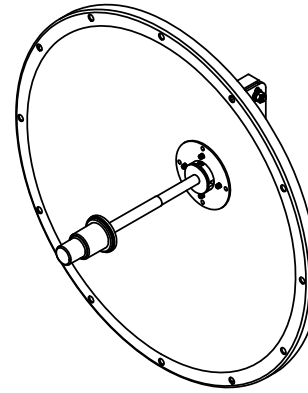
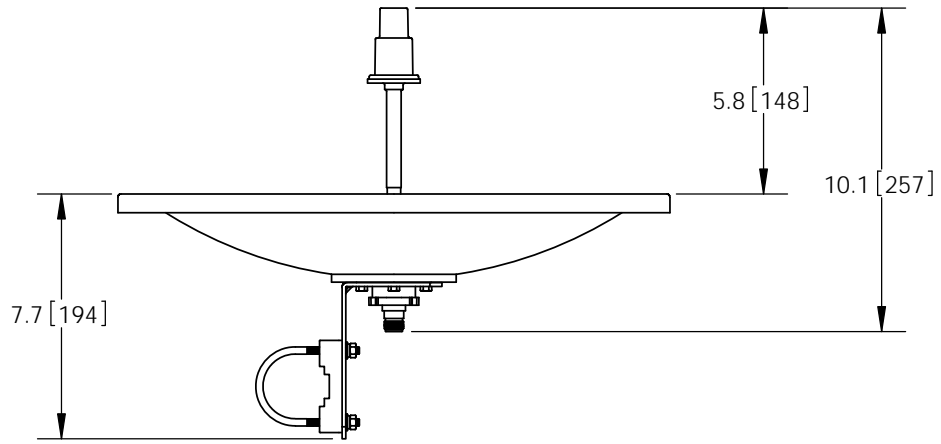
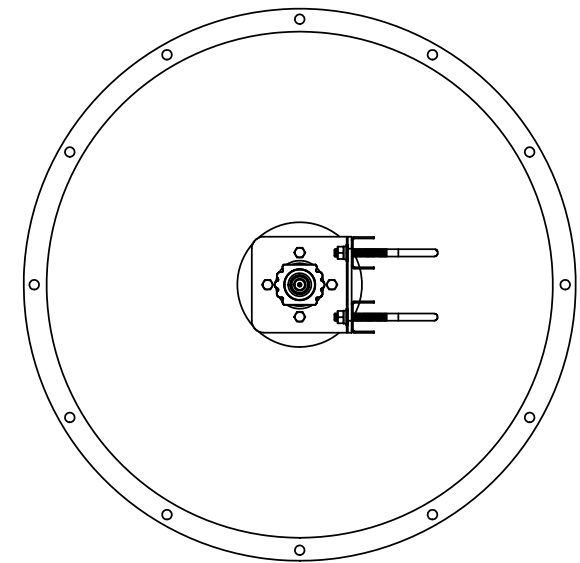
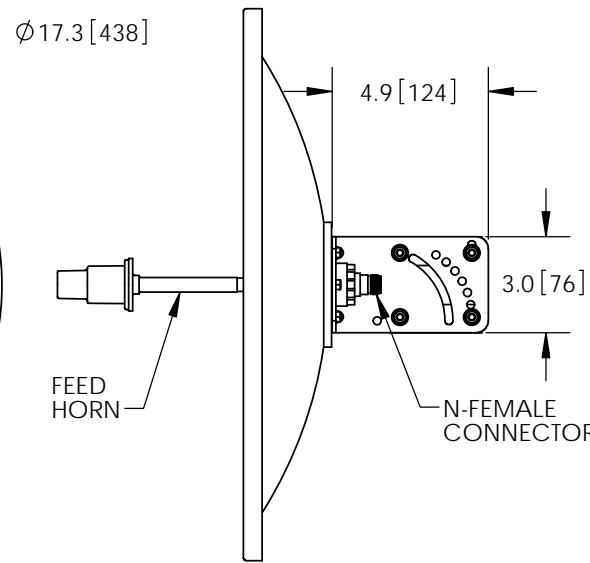
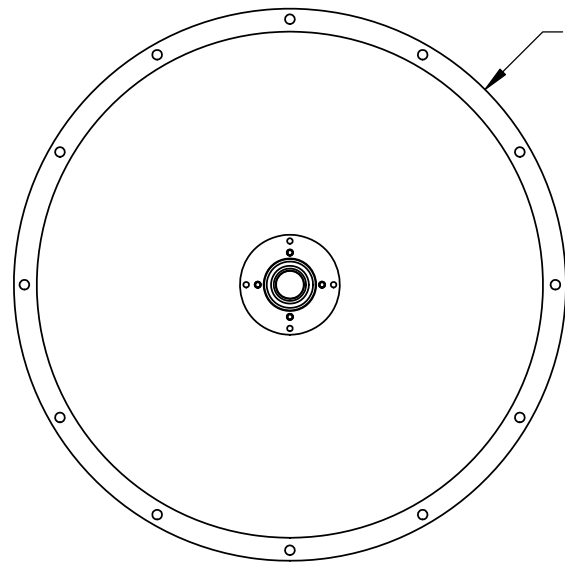


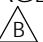
THE INFORMATION CONTAINED IN THIS DRAWING IS THE SOLE PROPERTY OF L-COM, INC. ANY REPRODUCTION IN PART OR WHOLE WITHOUT THE WRITTEN PERMISSION OF L-COM, INC. IS PROHIBITED.


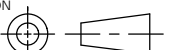
REVISIONS			
REV	DESCRIPTION	DATE	APPROVED
A	INITIAL RELEASE	10/04/11	B.PUCHASKI
B	ECN8238 UPDATE PKG NOTE TO PKG-00086	01/20/16	B.PUCHASKI



BACK VIEW



NOTES:
PACKAGING:
 COMPONENT SHALL BE PACKAGED IN ACCORDANCE WITH L-COM SPEC PKG-00086 
 - ALL DIMENSIONS FOR REFERENCE-
REGULATORY COMPLIANCE:
 CE2011/65/EU(RoHS DIRECTIVE)

UNLESS OTHERWISE SPECIFIED, DIMENSIONS ARE IN INCHES [mm] DIMENSIONAL TOLERANCES: .X = ±.1 [2.54] .XX = ±.01 [.25] .XXX = ±.005 [.13] ANGULAR TOLERANCES: ALL = ± 1°	APPROVALS	DATE		45 BEECHWOOD DRIVE NORTH ANDOVER, MA 01845	
	DRAWN BY B.PUCHASKI	10/04/11			
	CHECKED BY P.PESA	10/04/11	CATEGORY	ANTENNA	
	APPROVED BY P.PESA	10/04/11	PRODUCT DESCRIPTION	5.8GHz 24dBi PARABOLIC DISH ANTENNA W/N-FEMALE CONNECTOR	
PROJECTION 	COLOR VARIATIONS MAY OCCUR	SIZE A	FSCM NO. 43321	DWG. NO. HG5824D	REV. B
SCALE: NONE		CAD FILE: HG5824D.SLDDRW		SHEET 1 OF 1	