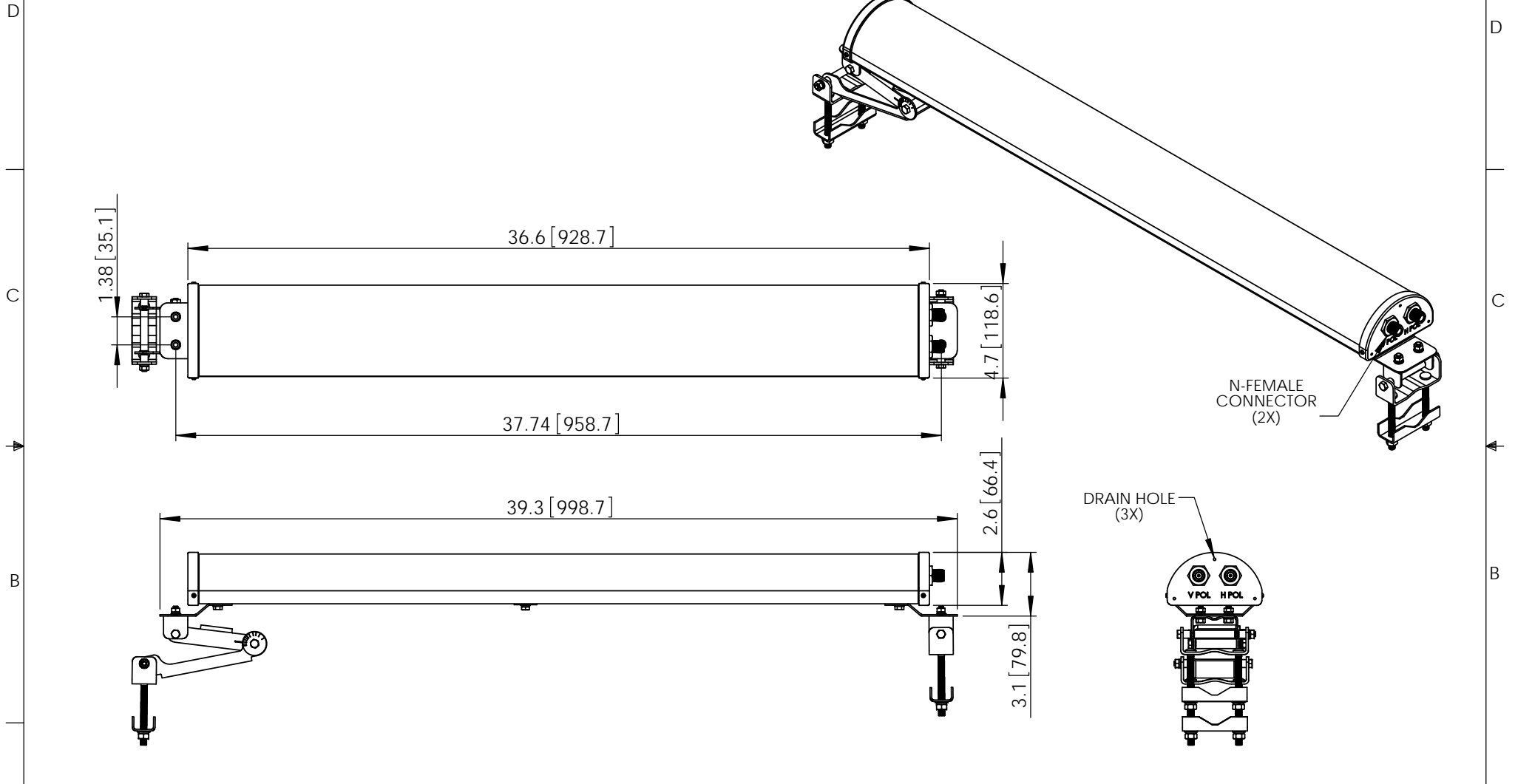


THE INFORMATION CONTAINED IN THIS DRAWING IS THE SOLE PROPERTY OF L-COM, INC. ANY REPRODUCTION IN PART OR WHOLE WITHOUT THE WRITTEN PERMISSION OF L-COM, INC. IS PROHIBITED.

REVISIONS			
REV	DESCRIPTION	DATE	APPROVED
A	INITIAL RELEASE	10/7/15	D.GRIFFIN



**NOTES:**  
 PACKAGING:  
 COMPONENT SHALL BE PACKAGED IN ACCORDANCE WITH L-COM SPEC PKG-00089.  
 - ALL DIMENSIONS FOR REFERENCE -  
**REGULATORY COMPLIANCE:**  
 CE2011/65/EU(RoHS DIRECTIVE)

UNLESS OTHERWISE SPECIFIED, DIMENSIONS ARE IN INCHES [mm]  DIMENSIONAL TOLERANCES: .X = ±.1 [2.54] .XX = ±.01 [25] .XXX = ±.005 [13]  ANGULAR TOLERANCES: ALL = ± 1°	APPROVALS	DATE	 45 BEECHWOOD DRIVE NORTH ANDOVER, MA 01845  CATEGORY <b>ANTENNA</b>  PRODUCT DESCRIPTION 4.9 - 5.8GHz 13dBi 180° DUAL POLARITY SECTOR ANTENNA W/N-FEMALE CONNECTORS
	DRAWN BY B.PUCHASKI	10/06/15	
	CHECKED BY T.VADEN	10/06/15	
APPROVED BY P.PESA	10/06/15		
PROJECTION 	COLOR VARIATIONS MAY OCCUR	SIZE <b>A</b>	FSCM NO. <b>43321</b> DWG. NO. <b>HG5813DP-180</b> SCALE: NONE CAD FILE: HG5813DP-180.SLDDRW SHEET 1 OF 1