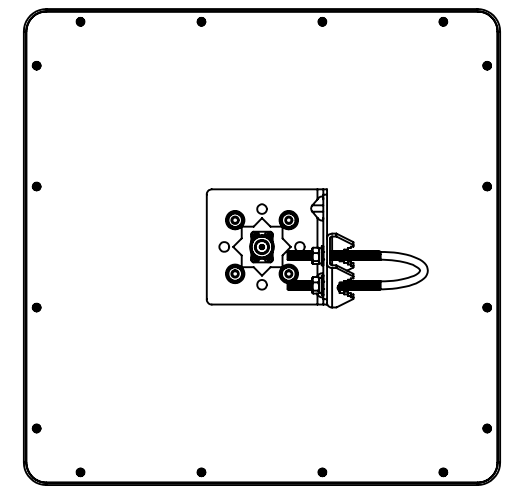
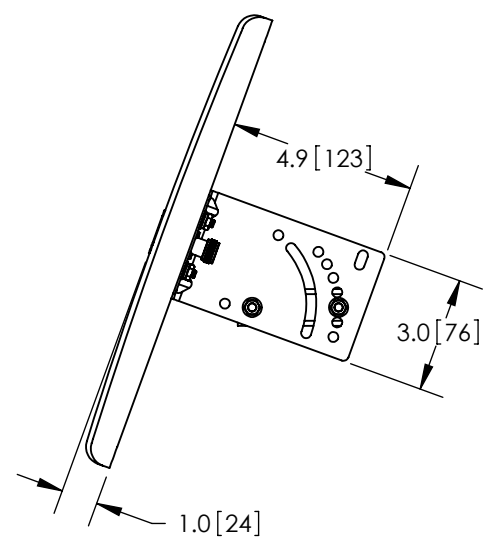
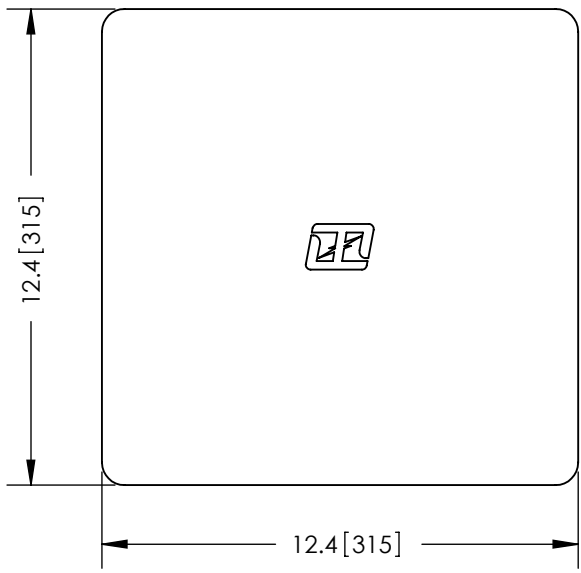
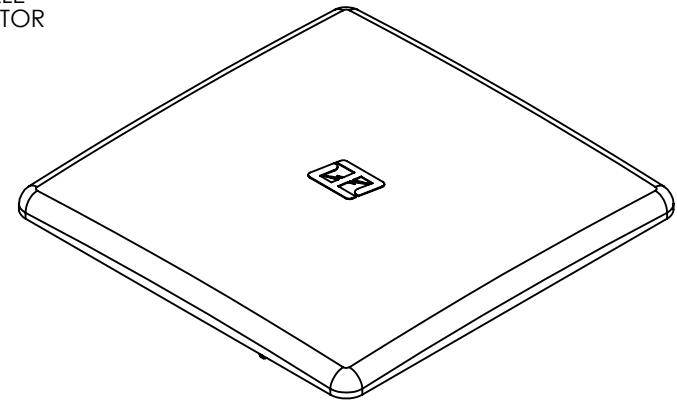
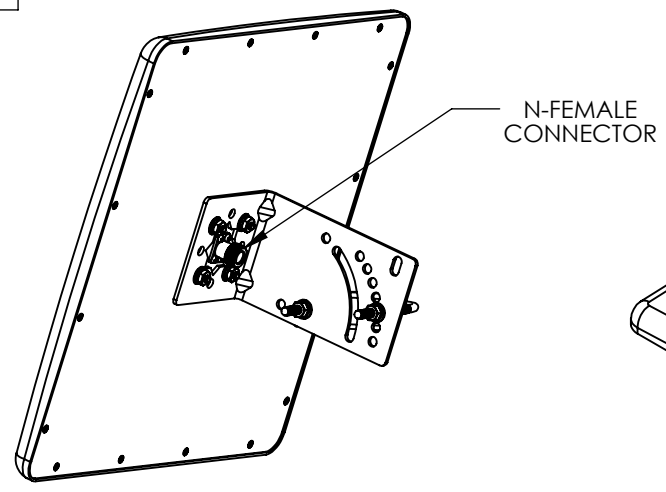


THE INFORMATION CONTAINED IN THIS DRAWING IS THE SOLE PROPERTY OF L-COM, INC. ANY REPRODUCTION IN PART OR WHOLE WITHOUT THE WRITTEN PERMISSION OF L-COM, INC. IS PROHIBITED.

REVISIONS			
REV	DESCRIPTION	DATE	APPROVED
A	INITIAL RELEASE	11/29/11	D.GRIFFIN
-	-	-	-



NOTES:  
 PACKAGING:  
 COMPONENT SHALL BE PACKAGED IN ACCORDANCE WITH L-COM SPEC PKG-00028  
 -ALL DIMENSIONS FOR REFERENCE-

**RoHS Compliant ✓**

UNLESS OTHERWISE SPECIFIED, DIMENSIONS ARE IN INCHES [mm]  DIMENSIONAL TOLERANCES: .X = ±.1 .XX = ±.01 .XXX = ±.005  ANGULAR TOLERANCES: ALL = ± 1°	APPROVALS	DATE		45 BEECHWOOD DRIVE NORTH ANDOVER, MA 01845
	DRAWN BY B.PUCHASKI	11/18/11		
PROJECTION 	CHECKED BY P.PESA	11/18/11	CATEGORY <b>ANTENNA</b>	
	APPROVED BY P.PESA	11/18/11	PRODUCT DESCRIPTION 5.4GHz TO 5.8GHz 19dBi FLAT PANEL ANTENNA W/N-FEMALE CONNECTOR	
	COLOR VARIATIONS MAY OCCUR	SIZE <b>A</b>	FSCM NO. <b>43321</b>	DWG. NO. <b>HG5419P</b>
		SCALE: NONE	CAD FILE: HG5419P.SLDDRW	SHEET 1 OF 1