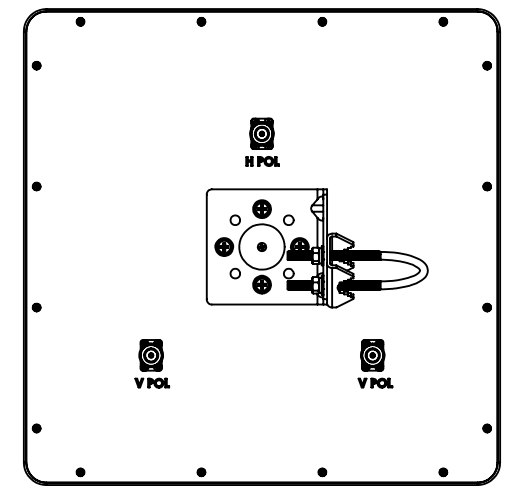
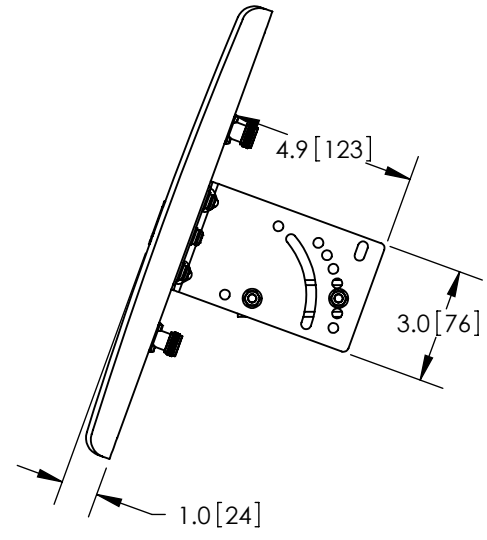
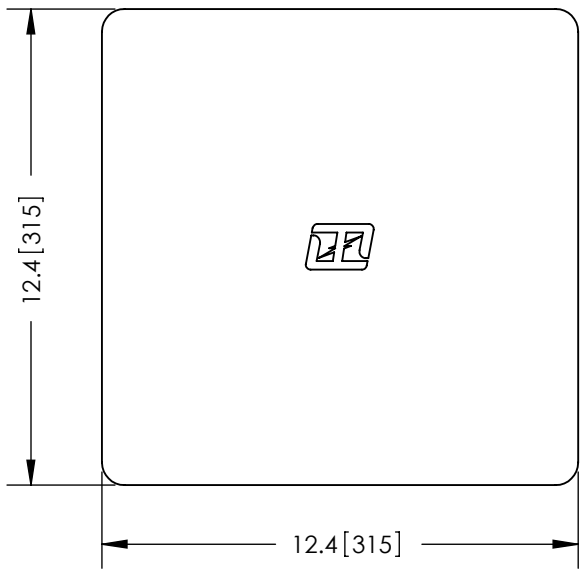
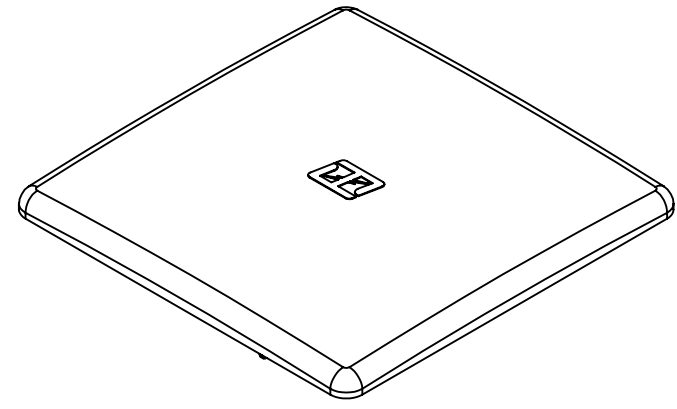
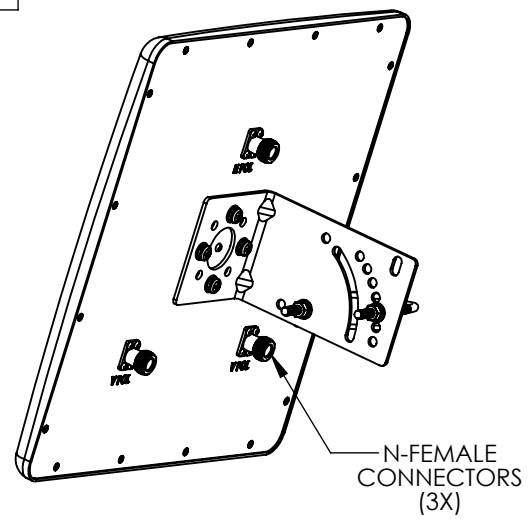


THE INFORMATION CONTAINED IN THIS DRAWING IS THE SOLE PROPERTY OF L-COM, INC. ANY REPRODUCTION IN PART OR WHOLE WITHOUT THE WRITTEN PERMISSION OF L-COM, INC. IS PROHIBITED.

REVISIONS			
REV	DESCRIPTION	DATE	APPROVED
A	INITIAL RELEASE	2/12/13	D.GRIFFIN
-	-	-	-



NOTES:
 PACKAGING:
 COMPONENT SHALL BE PACKAGED IN ACCORDANCE WITH L-COM SPEC PKG-00028
 -ALL DIMENSIONS FOR REFERENCE-

RoHS Compliant ✓

UNLESS OTHERWISE SPECIFIED, DIMENSIONS ARE IN INCHES [mm] DIMENSIONAL TOLERANCES: .X = ±.1 .XX = ±.01 .XXX = ±.005 ANGULAR TOLERANCES: ALL = ± 1° PROJECTION	APPROVALS DRAWN BY B.PUCHASKI	DATE 02/11/13	45 BEECHWOOD DRIVE NORTH ANDOVER, MA 01845	
	CHECKED BY P.PESA	02/11/13		CATEGORY ANTENNA
	APPROVED BY P.PESA	02/11/13	PRODUCT DESCRIPTION 4.9-5.8GHz 17dBi DUAL POLARIZED FLAT PANEL ANTENNA W/N-FEMALE CONNECTORS	
	COLOR VARIATIONS MAY OCCUR	SIZE A	FSCM NO. 43321	DWG. NO. HG4958-17DP-3NF
SCALE: NONE		CAD FILE: HG4958-17DP-3NF.SLDDRW		
SHEET 1 OF 1			REV. A	